

the spacious
Translate

Specification & Pricing Guide

version 1.07

1/1/2017



Table of Contents

Ordering Information

Ordering Information Checklist.....	4
-------------------------------------	---

Specifications

Table Top Specifications.....	6
Table Size Specifications.....	6
Table Base Specifications.....	7
Divider Specifications.....	8
Unit Shape Specifications.....	9
Electrical / Power	

How-to

Shipping Zone Pricing.....	10
Specification Guide Tips.....	12

Study Tables

X-Base - Build Guide.....	16
X-Base - Popular Items.....	17
X-Base - Pricing Guide.....	17
Frame Base - Build Guide.....	18
Frame Base - Pricing Guide.....	19
Frame Base - Popular Items.....	20

Desking

Terminology and Tips.....	24
Straight - Build Guide.....	26
Straight - Pricing Guide.....	27
Straight - Popular Items.....	28
Single Face Arc - Build Guide.....	30
Single Face Arc - Pricing Guide.....	31
Single Face Arc - Popular Items.....	32
Double Face Arc - Build Guide.....	34
Double Face Arc - Pricing Guide.....	35
Double Face Arc - Popular Items.....	36
Pod - Build Guide.....	38
Pod - Pricing Guide.....	39
Pod - Popular Items.....	40

Share - Build Guide	42
Share - Pricing Guide	43
Share - Popular Items.....	44
Popular Combinations	46

Accessories

Built-In Power & Data	52
Built-In Media Sharing	54
Add-On Power & Data.....	55
Add-On Wire Management.....	59
Monitor Arms & CPU Holders	60

Terms and Conditions

Translate Terms and Conditions	61
GSA Terms and Conditions	64

Ordering Information

Ordering Information Checklist

Use this checklist to be sure you have all of the necessary information to order your Translate unit.

Catalog Number

Use our build guides to create your Translate catalog number.

Wood Species

Oak
Maple

Wood Finish

Maple

Amber Cherry | ACM
Amber Maple | AMM
Carmel Maple | CMM
Dark Mahogany | DMM
Light Cherry | LCM
Medium Cherry | MCM
Medium Mahogany | MMM
Medium Walnut | MWM
Natural Maple | NMM
Montana Walnut | OWM
Versailles Anigre | VAM

Oak

Dark Mahogany | DMO
Golden Oak | GOO
Light Cherry | LCO
Medium Oak | MOO
Medium Cherry | MCO
Medium Walnut | MWO
Medium Mahogany | MMO
Natural Oak | NOO

Color Stain

Blue
Green
Orange
Red
Yellow

PVC Edge Band

Amber Cherry | AC-PVC
Natural Teak | NT-PVC
Huntington Maple | HM-PVC
Kensington Maple | KM-PVC
Montana Walnut | MW-PVC
Versailles Anigre | VA-PVC

Cafelle | CA-PVC
Nepal Teak | NP-PVC
Windsor Mahogany | WM-PVC
Hampton Walnut | HW-PVC
Natural Oak | NO-PVC

Black | BK-PVC
Fashion Grey | FG-PVC
Frosty White | FW-PVC
North Sea | NS-PVC
Slate Grey | SG-PVC

Laminate Selection

Standard Wilsonart, Formica, Nevamar or Pionite. Please specify manufacturer, color, and model number.

Metal

Powder Coated Steel

Steel Gray Black
Textured Black Silver
White

□ **MDF Powder Coat**

Standard Colors

Cajun Red	Mandarin
Electric Lime	Raisin
Extra White	Refuge
Griffin	Web Gray

Color match powder coating is available, send us a physical sample as well as the six digit color code. \$750 list color matching fee.

□ **Accessories**

ⓘ **LIAT Finish Match Suggestions**

LIAT Wood Finish	Laminate	PVC Edge
Amber Cherry on Maple ACM	Wilsonart Amber Cherry 7919K-60	Amber Cherry AC-PVC
Amber Maple on Maple AMM	Formica Natural Teak 8849-58	Natural Teak NT-PVC
Carmel Maple on Maple CMM	—	—
Dark Mahogany on Maple DMM	—	—
Light Cherry on Maple LCM	Wilsonart Huntington Maple 7929-60	Huntington Maple HM-PVC
Medium Cherry on Maple MCM	—	—
Medium Mahogany on Maple MMM	—	—
Medium Walnut on Maple MWM	—	—
Natural Maple on Maple NMM	Wilsonart Kensington Maple 10776-60	Kensington Maple KM-PVC
Montana Walnut on Maple OWM	Wilsonart Montana Walnut 7110K-60	Montana Walnut MW-PVC
Versailles Anigre on Maple VAM	Wilsonart Versailles Anigre 7923K-60**	Versailles Anigre VA-PVC
Dark Mahogany on Oak DMO	Wilsonart Cafelle 7933K-60**	Cafelle CA-PVC
Golden Oak on Oak GOO	Wilsonart Nepal Teak 7209K-60	Nepal Teak NP-PVC
Light Cherry on Oak LCO	—	—
Medium Oak on Oak MOO	—	—
Medium Cherry on Oak MCO	Wilsonart Windsor Mahogany 7039K-60	Windsor Mahogany WM-PVC
Medium Walnut on Oak MWO	Wilsonart Hampton Walnut 7959K-38**	Hampton Walnut HW-PVC
Medium Mahogany on Oak MMO	Pionite Jewel Mahogany WY351-N	—
Natural Oak on Oak NOO	Formica Natural Oak 346	Natural Oak NO-PVC
—	Wilsonart Black 1595-60	Black BK-PVC
—	Wilsonart Fashion Grey D381-60	Fashion Grey FG-PVC
—	Wilsonart Frosty White 1573-60	Frosty White FW-PVC
—	Wilsonart North Sea D90-60	North Sea NS-PVC
—	Wilsonart Slate Grey D91-60	Slate Grey SG-PVC

(-) a suggested match is not available.

**indicates premium pricing, please contact project management for more information.

Specifications

Table Top Specifications

Top with Wood “A” Edge

Add “-WE” to the model number for this option

Tops - 1-1/8” thick, particle board core

Veneer or Marmoleum are available

Laminate - .050” thick with phenolic backing sheet

Edges - Banded with 1/4” wide flush edge band with eased edges



Top with PVC Edge

Add “-MM” to the model number for this option

Tops - 1-1/8” thick, particle board core

Veneer or Marmoleum are available

Laminate - .050” thick with phenolic backing sheet

Edges - banded with a 3mm PVC edge band.



Powder Coat MDF Top

Add “-PC” to the model number for this option

Tops - 1” thick, specially formulated medium-density fiberboard (MDF) core

*The tops shall receive a **highly durable electrostatic powder coat paint finish.***

*The tops shall receive our user **friendly ergonomic shape***



Table Size Specifications

Nominal Table Height

Height - 29”.

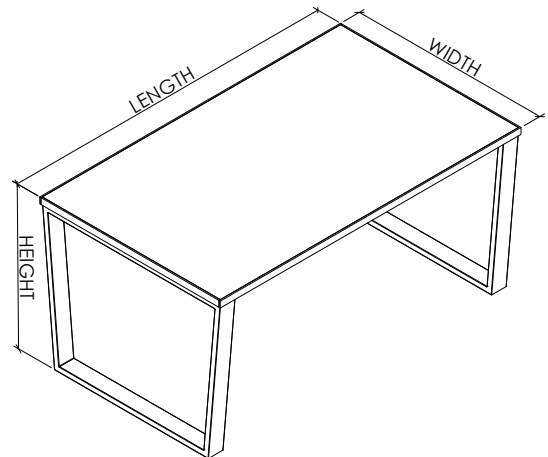
Additional heights of 25”, 27”, and 39” are available upon request.

Due to the inward taper of the frames, Translate tables cannot be ordered at heights above 29”.

Nominal Table Width

See specific sections for available table widths.

The widths of arc units are measured as the width of the work surface. Width selection may vary from the actual overall footprint width.



Edge	Island	Starter/End	Adder
PC	+0	- 1-3/4 "	- 3-1/2"
WE	+0	- 1-3/4"	- 3-1/2"
MM	- 1/4"	- 1-7/8"	- 3-1/2"

Nominal Table Length

See specific sections for available table lengths.

The lengths for arc units are measured from center to center from each end. Length selection may vary from the actual overall footprint length.

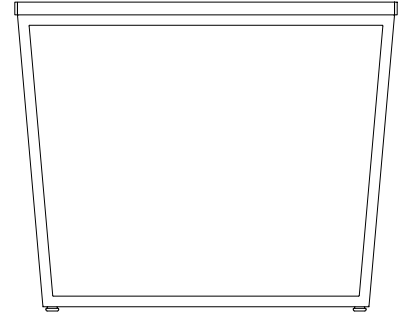
See length changes for desking below

Table Base Specifications

Open Frame Base

The open welded metal frame bases shall be constructed of a 1" x 3" 16 gauge tubular steel with two horizontal rails at the top and bottom mitered and welded to two vertical rails at either side angled with a 5° inward taper from the top. All corner miters and welds shall be grounded smooth. Each frame shall include two ¼" thick steel support tabs welded at both ends. The two metal cross stretchers running lengthwise shall be constructed of 1" square 16 gauge tubular steel with three holes for #14 x ¾" PPH screws and star washers to attach the frame to the top. The cross stretchers shall be bolted to the metal end frames for added stability.

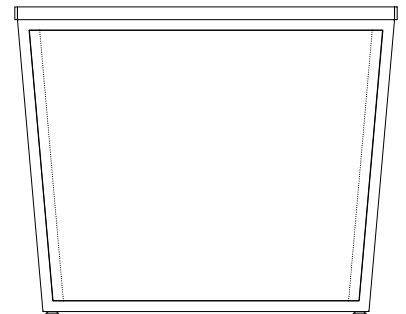
Add **"-OF"** to the model number for this option.



Acrylic Panel Frame Base

The acrylic panel welded metal frame bases shall be constructed of a 1" x 3" 16 gauge tubular steel with two horizontal rails at the top and bottom mitered and welded to two vertical rails at either side angled with a 5° inward taper from the top. All corner miters and welds shall be grounded smooth. Each frame shall include two ¼" thick steel support tabs welded at both ends. There shall be two inset tabs welded to each vertical rail running the entire length of the rail. Two ¼" thick frosted acrylic panels shall be captured flush inside the frame by means of dual-lock tape. The inner panel shall include mouse holes at the top and bottom for wire management. The two metal cross stretchers running lengthwise shall be constructed of 1" square 16 gauge tubular steel with three holes for #14 x ¾" PPH screws and star washers to attach the frame to the top. The cross stretchers shall be bolted to the metal end frames for added stability.

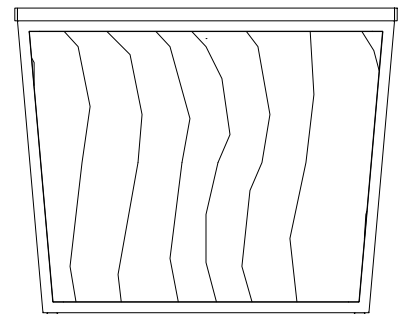
Add **"-AF"** to the model number for this option.



Wood Panel Frame Base

The wood panel welded metal frame bases shall be constructed of a 1" x 3" 16 gauge tubular steel with two horizontal rails at the top and bottom mitered and welded to two vertical rails at either side angled with a 5° inward taper from the top. All corner miters and welds shall be grounded smooth. Each frame shall include two ¼" thick steel support tabs welded at both ends. There shall be two inset tabs welded to each vertical rail running the entire length of the rail. Two ¼" thick wood panels constructed of particleboard core with grade "A" veneers on one face shall be captured flush inside the frame by means of dual-lock tape. The inner panel shall include mouse holes at the top and bottom for wire management. The two metal cross stretchers running lengthwise shall be constructed of 1" square 16 gauge tubular steel with three holes for #14 x ¾" PPH screws and star washers to attach the frame to the top. The cross stretchers shall be bolted to the metal end frames for added stability.

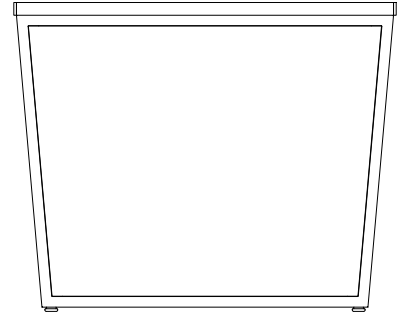
Add **"-WF"** to the model number for this option.



Powder Coat Panel Frame Base

The powder coat panel welded metal frame bases shall be constructed of a 1" x 3" 16 gauge tubular steel with two horizontal rails at the top and bottom mitered and welded to two vertical rails at either side angled with a 5° inward taper from the top. All corner miters and welds shall be grounded smooth. Each frame shall include two ¼" thick steel support tabs welded at both ends. There shall be two inset tabs welded to each vertical rail running the entire length of the rail. Two ¼" thick powder coated panels constructed from a specially formulated MDF core shall be captured flush inside the frame by means of dual-lock tape. The inner panel shall include mouse holes at the top and bottom for wire management. The two metal cross stretchers running lengthwise shall be constructed of 1" square 16 gauge tubular steel with three holes for #14 x ¾" PPH screws and star washers to attach the frame to the top. The cross stretchers shall be bolted to the metal end frames for added stability.

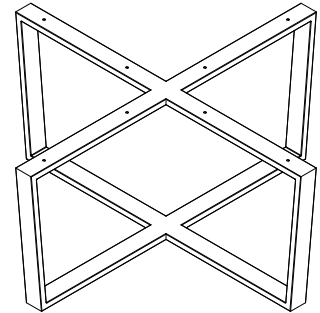
Add **"-CF"** to the model number for this option.



Open Welded X-Base

The open welded x-base shall be constructed of 1" x 3" 16 gauge tubular steel with two horizontal rails at the top and bottom mitered and welded to four vertical rails at either side angled with a 5° inward taper from the top. The top horizontal rails shall include through holes for the #14 x ¾" PPH screws and star washers to attach the base to the top. All corner miters and welds shall be grounded smooth.

Add **"-XB"** to the model number for this option.



Glides

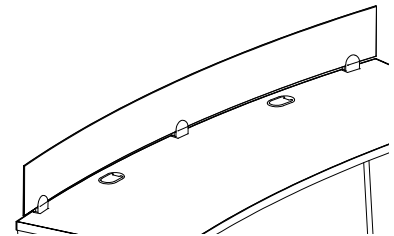
Each frame shall be fitted with two 1-1/4" diameter rubber cushioned adjustable leveling glides with a 15/16" stem.

Divider Specifications

Acrylic Divider (Single Face)

The acrylic divider shall extend 8" above the work surface and be made of ¼" thick clear acrylic frosted on both sides. The acrylic shall be frosted both sides and captured in steel glass clamps with rubber gaskets, which shall attach to the table tops by means of a #8 x 1" PFH wood screw. The acrylic divider shall run along the back edge of single face units.

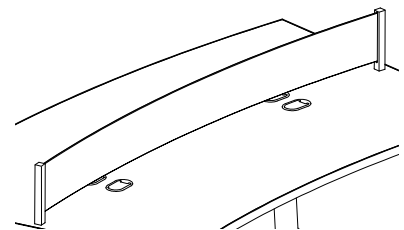
Add **"-AR"** to the model number for this option.



Acrylic Divider (Double Face)

The acrylic divider shall start 1" above the work surface and extend to 8" above the work surface and be made of ¼" thick clear acrylic frosted on both sides. The acrylic shall be captured between powder coated divider posts constructed of 1" square powder coated steel bars with a ¼" thick x 3/8" deep route to hold the acrylic, and a ¼"-20 x 1-3/4"L threaded rod extending from the bottom to pass thru the work surface and frame and held in place with a nut and star washer. The top edge of the acrylic shall be double chamfered and polished. The acrylic divider shall run lengthwise between users on double face units.

Add **"-AR"** to the model number for this option.



Unit Shape Specifications

Straight Units

Any straight unit shall be rectangular and utilize 90° angles on the corners; the frames shall be parallel with each other and perpendicular to the stretchers.

Arc Units

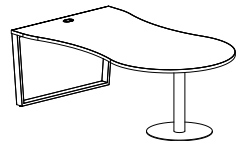
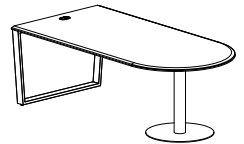
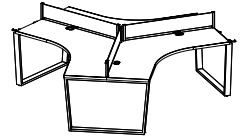
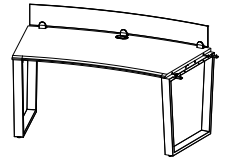
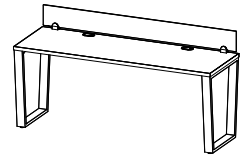
Any arc unit shall have the frames and tops set at a 20° angle, and the radius shall follow suit dependent on the width and length selected.

Pod Units

No pod unit shall have a center support structure extending to the ground where the 3 tops join together.

Share Units

Share units shall be available in a **bullet or fish** shape, with a frame on one side connecting to a column base on the other by means of two stretchers.



Electrical / Power

Electrical / Power

Options include:

Power outlets

Data ports

USB ports.

See the accessories for standard offerings, or contact project management to customize your desired configurations.

Wire Manager Leg

The optional removable door leg comes with an egress hole near the top and bottom of the leg. Between the two egress holes is a removable 16 gauge powder coated steel door held in place by means of four 1/8" thick x 1/2" wide x 1-1/2" long neodymium magnets with a 6.56lb pull allowing access to wire management without having to snake cords through the leg.

The wire leg is only available on open frame units.

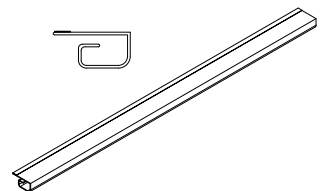
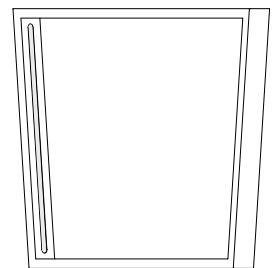
Location to be noted at time of order.

J-Wire Manager

All desking and computer table products, as well as study tables with a power cutout upgrade are to come standard with one j-wire manager made of extruded plastic to hold wires.

The j-wire manager is shipped loose and comes with double sided tape to assist with placement in the field.

All j-wire managers must be installed with the included screws.

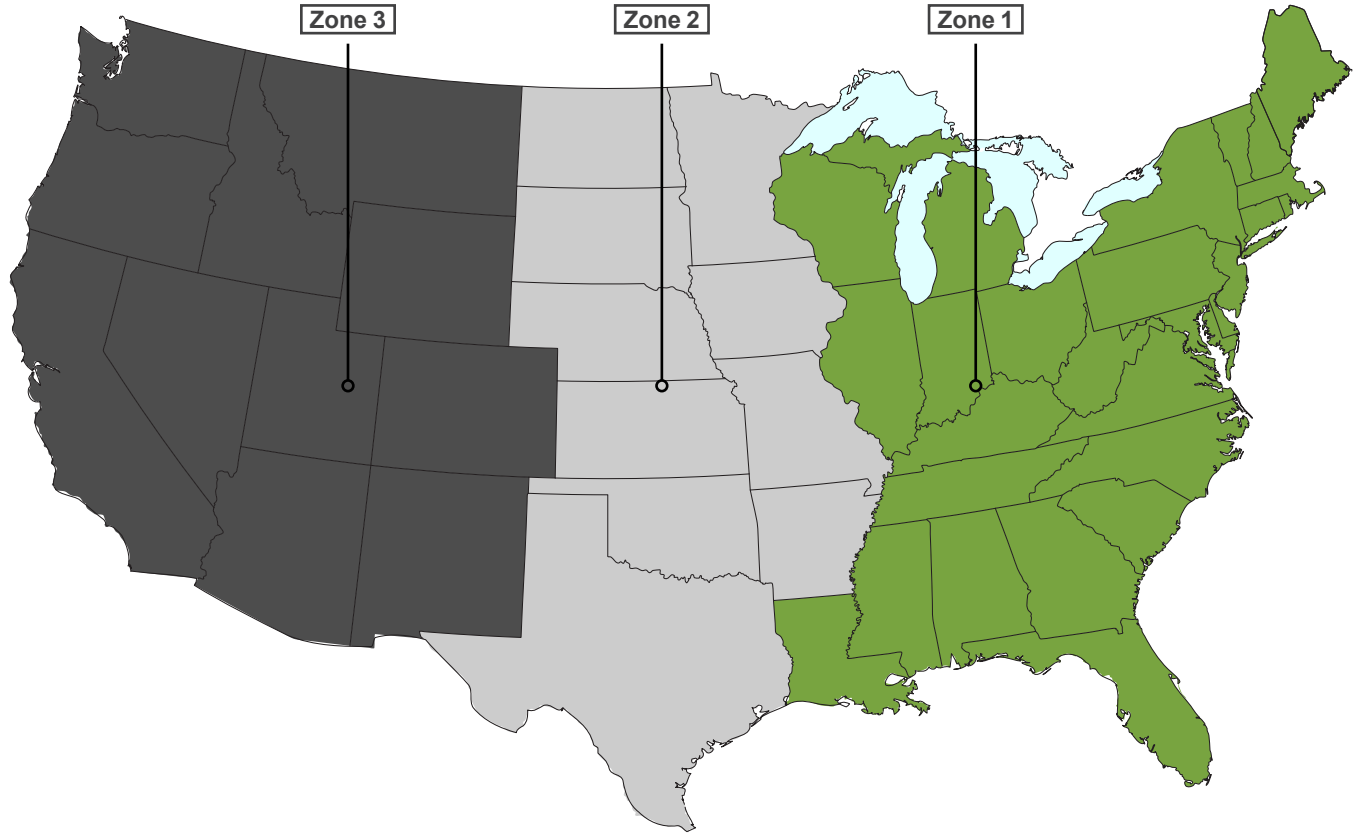


LIAT Shipping Zones

Shipping | Pricing Guide

Use the following guide to **determine the delivered pricing** for your LIAT furniture product by **selecting your zone** from the map and reviewing the price changes for each zone. To **determine your list price**, add your prices from your selected furniture and then **add the shipping cost based on your designated zone**.

USA



- Zone 1** No extra cost
- Zone 2** Add 4% to the list price
- Zone 3** Add 7% to the list price

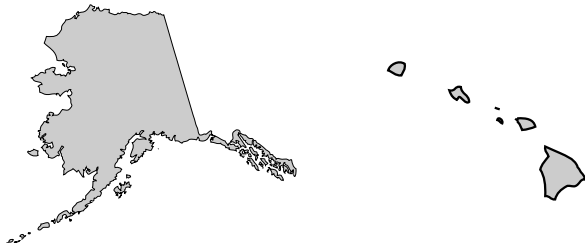
Zone 1 orders less than \$5,000 list will have a freight minimum fee of **\$375** list.

Zone 2 orders less than \$5,000 list will have a freight minimum fee of **\$375** list, plus **4%** of list

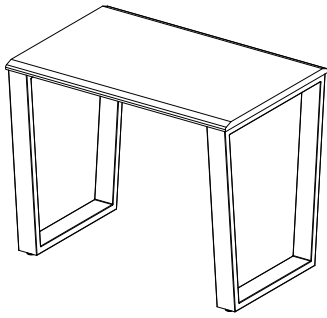
Zone 3 orders less than \$5,000 list will have a freight minimum fee of **\$375** list, plus **7%** of list

Hawaii, Alaska, and International

Note. This system does not apply to our international customers or those living in Alaska and Hawaii, **freight must be quoted separately for these orders**



Example 1 Below \$5,000 list



TR-ST-3036-29-OF-PC

List Price - \$2,163

Nominal Size - 30" wide x 36" long x 29"H

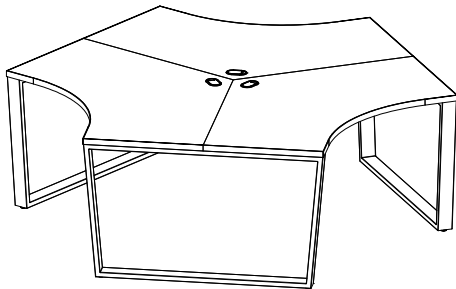
Actual Footprint - 24"W x 36"L x 29"H

Frame Style - Open

Edge Detail - MDF, powder coat

- **Zone 1** List Price: \$2,163 + \$375(flat fee) = \$2,538
- **Zone 2** List Price: \$2,163 + \$375(flat fee) + \$87(4% of list) = \$2,625
- **Zone 3** List Price: \$2,163 + \$375(flat fee) + 151(7% of list) = \$2,689

Example 2 Above \$5,000 list



TR-DK-4866P-29-I-OF-MM

List Price - \$6,513

Nominal Size - 48"W x 66"L x 29"H

Actual Footprint - 77-7/16"W x 89-3/8"L x 29"H

Frame Style - Open

Edge Detail - PVC

Unit Type - Island

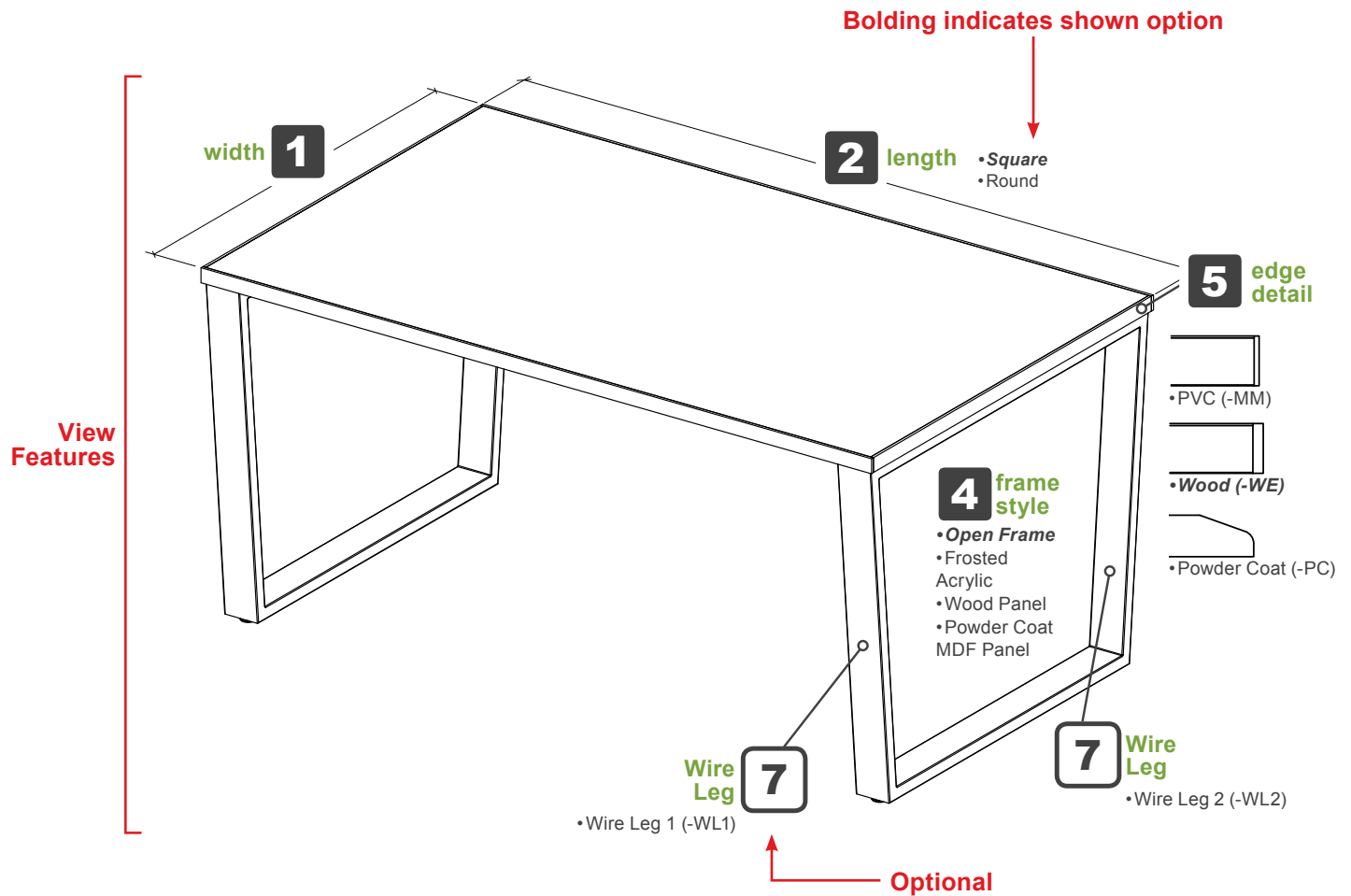
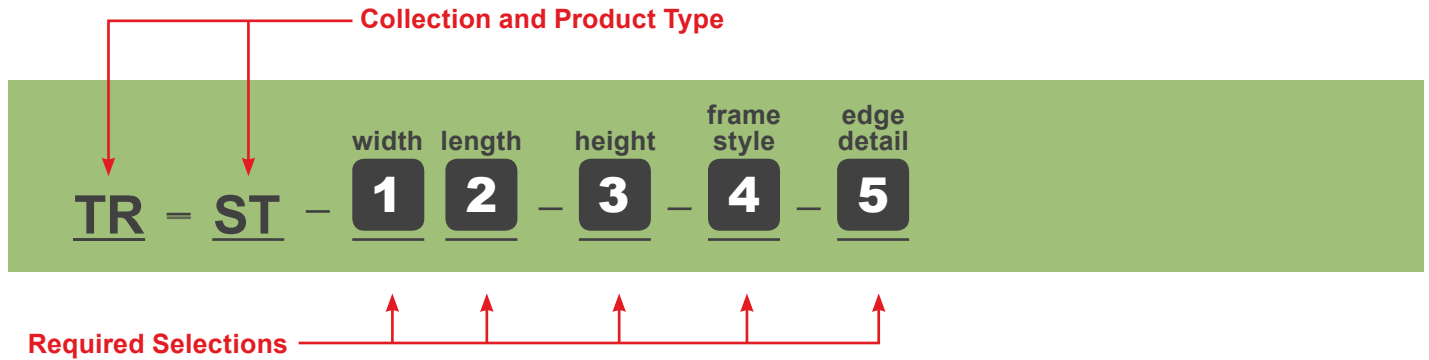
- **Zone 1** List Price: \$6,513 = **\$6,513**
- **Zone 2** List Price: \$6,513 + \$261(4% of list) = **\$6,774**
- **Zone 3** List Price: \$6,513 + \$456(7% of list) = **\$6,967**

*LIAT product is shipped knocked down. Assembly in the field is required.

Translate Study Table

How to use this pricing guide

These pages are a guide on how to build and customize your *Translate* table using this specification and pricing guide.



Unit Shown TR-ST-3660-29-OF-WE

Shown options creating a unique product code

List Price \$2,405

Price of unit shown

Use this information to locate the guide sections



TR - ST



Frame Base | Pricing Guide

To compare various combinations, use price chart



Required Selections						
Component	Code	Description	30" Wide	36" Wide	42" Wide	48" Wide
1 Width	30	30" Wide Study Table	\$0	-	-	-
	36	36" Wide Study Table	-	\$0	-	-
	42	42" Wide Study Table	-	-	\$0	-
	48	48" Wide Study Table	-	-	-	\$0
2 Length	36	36" Long Study Table	\$2,163	\$2,224	-	-
	48	48" Long Study Table	\$2,183	\$2,267	\$2,329	\$2,349
	60	60" Long Study Table	\$2,224	\$2,308	\$2,370	\$2,391
	72	72" Long Study Table	\$2,267	\$2,349	\$2,412	\$2,494
3 Height	25	25" High Unit	\$0	\$0	\$0	\$0
	27	27" High Unit	\$0	\$0	\$0	\$0
	29	29" High Unit	\$0	\$0	\$0	\$0
4 Frame Style	OF	Open Frame	\$0	\$0	\$0	\$0
	AF	Frosted Acrylic Panel	\$708	\$754	\$792	\$832
	WF	Wood Panel	\$708	\$754	\$792	\$832
	CF	Powder Coat MDF Panel	\$708	\$754	\$792	\$832
5 Edge Detail	WE	Wood Edge	\$95	\$95	\$95	\$95
	MM	3mm PVC Edge	\$0	\$0	\$0	\$0
	PC	Powder Coat	\$0	\$0	\$0	\$0
Available Upgrades						
Component	Code	Description	30" Wide	36" Wide	42" Wide	48" Wide
6 Power	-MX	M2X Cutout	\$45	\$45	\$45	\$45
		-Power unit ordered separately				
7 Wire Leg	-WL1	Wire Leg Location 1	\$437	\$437	\$437	\$437
	-WL2	Wire Leg Location 2	\$437	\$437	\$437	\$437
		-Wire leg only available on Open Frame (OF) style tables				



TR-ST-3660-29-OF-WE



\$2,405

Study Tables

Designed and customized for every space



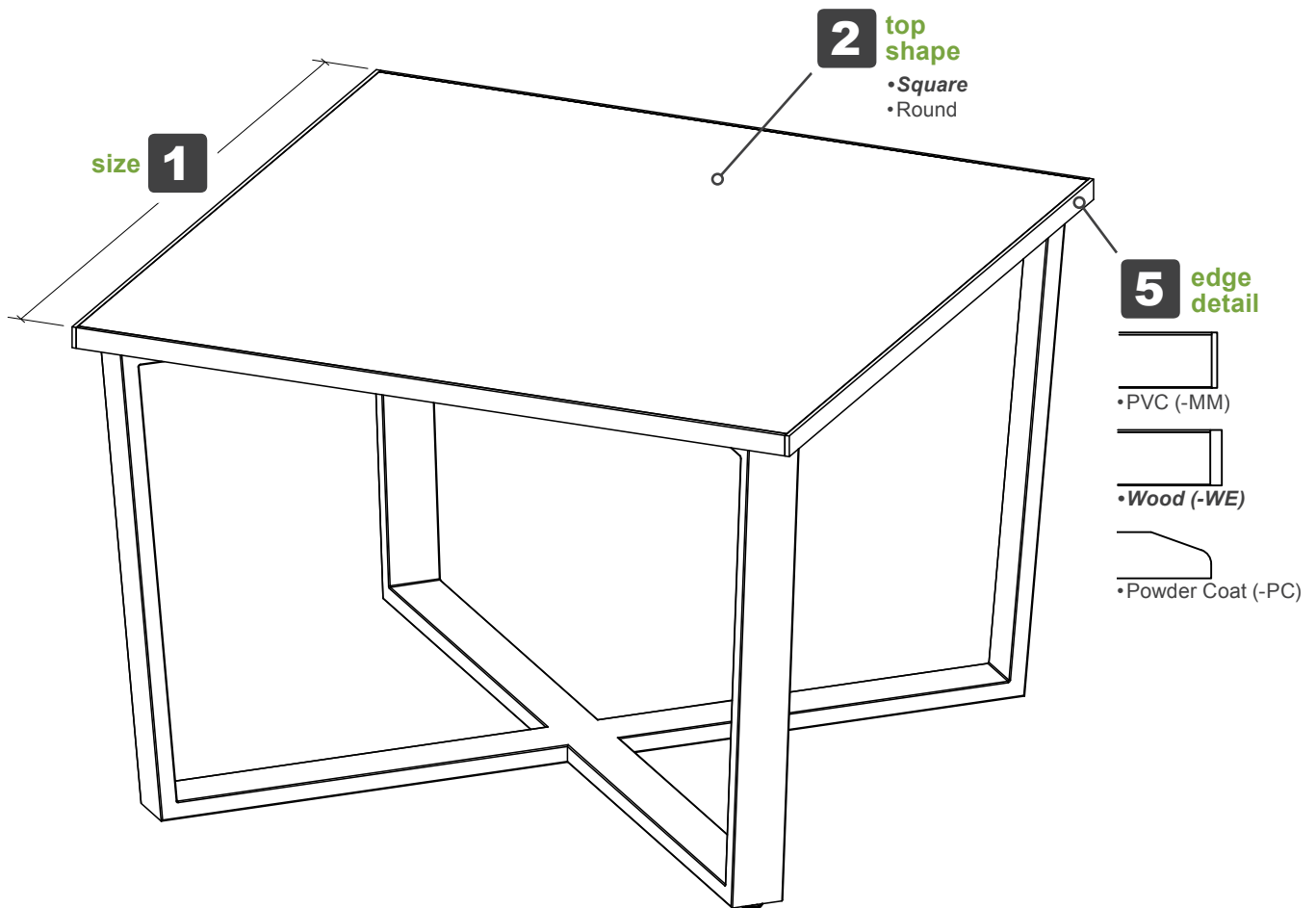
Translate Study Table

X-Base | Build Guide

Use the following guide to **determine the catalog number** for your Translate X-Base Study Table by **selecting your choice** from the available options. To **determine your list price**, add all prices for your selected items from the table to the right.

TR – **ST** – **1** – **2** – **3** – **4** – **5**

size top shape height frame style edge detail



Unit Shown TR-ST-42S-29-XB-WE

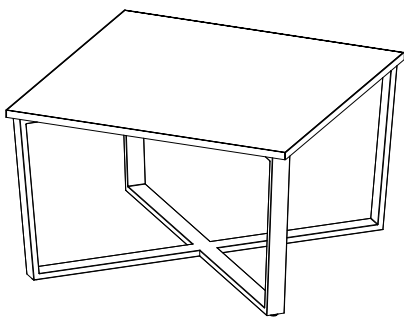
List Price \$2,280

Required Selections					
Component	Code	Description	42" Wide/Dia	48" Wide/Dia	60" Wide/Dia
1 Size	42	42" Study Table	\$0	-	-
	48	48" Study Table	-	\$0	-
	60	60" Study Table	-	-	\$0
2 Top Shape	S	Square Top	\$2,185	\$2,206	\$2,288
	D	Round Top	\$2,227	\$2,268	\$2,456
3 Height	25	25" High Unit	\$0	\$0	\$0
	27	27" High Unit	\$0	\$0	\$0
	29	29" High Unit	\$0	\$0	\$0
4 Frame Style	XB	X-Base	\$0	\$0	\$0
5 Edge Detail	WE	Wood Edge	\$95	\$95	\$95
	MM	3mm PVC Edge	\$0	\$0	\$0
	PC	Powder Coat	\$0	\$0	\$0

Translate Study Tables

X-Base | Popular Items

The following products are popular and frequently ordered items. The catalog number, description, actual footprint, and list prices are all provided. The items can be used exactly as-is, as a starting point for budgetary purposes, or simply as examples. Contact project management for any further information.



TR-ST-48S-29-XB-MM

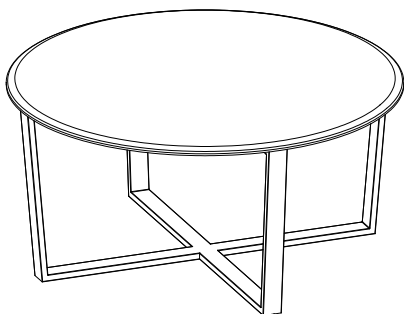
List Price - \$2,206

Nominal Size - 48" Sq x 29"H

Actual Footprint - 47-3/4" Sq x 29"H

Frame Style - X-base

Edge Detail - PVC



TR-ST-60D-29-XB-PC

List Price - \$2,456

Nominal Size - 60" Dia x 29"H

Actual Footprint - 60" Dia x 29"H

Frame Style - X-base

Edge Detail - MDF, powder coat

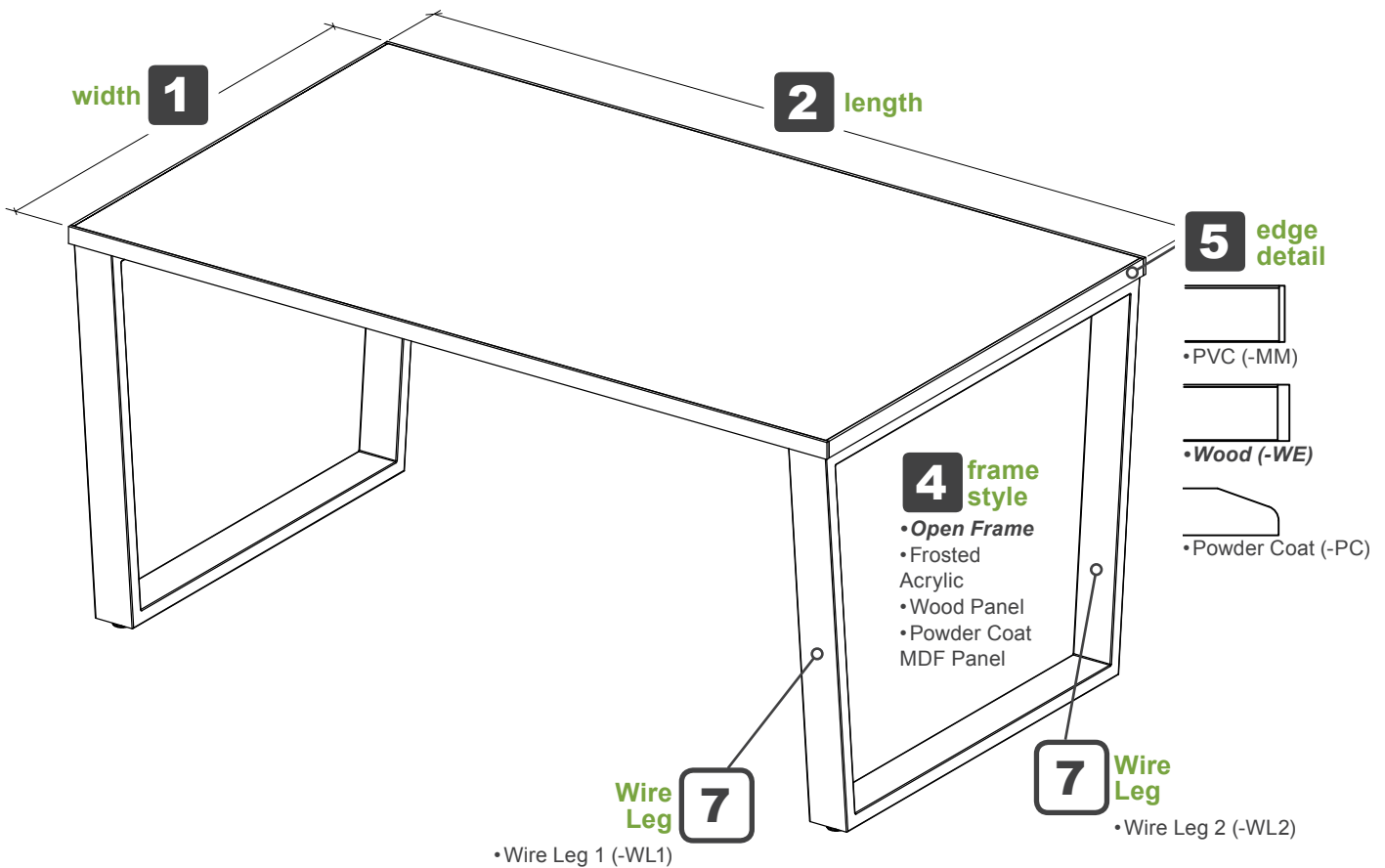
Translate Study Table

Frame Base | Build Guide

Use the following guide to **determine the catalog number** for your Translate Frame Base Study Table by **selecting your choice** from the available options. To **determine your list price**, add all prices for your selected items from the table to the right.

TR - ST - **1** **2** - **3** - **4** - **5**

width length height frame style edge detail



Unit Shown TR-ST-3660-29-OF-WE

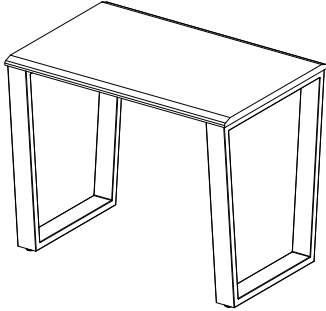
List Price \$2,405

Required Selections						
Component	Code	Description	30" Wide	36" Wide	42" Wide	48" Wide
1 Width	30	30" Wide Study Table	\$0	-	-	-
	36	36" Wide Study Table	-	\$0	-	-
	42	42" Wide Study Table	-	-	\$0	-
	48	48" Wide Study Table	-	-	-	\$0
2 Length	36	36" Long Study Table	\$2,163	\$2,224	-	-
	48	48" Long Study Table	\$2,183	\$2,267	\$2,329	\$2,349
	60	60" Long Study Table	\$2,224	\$2,308	\$2,370	\$2,391
	72	72" Long Study Table	\$2,267	\$2,349	\$2,412	\$2,494
3 Height	25	25" High Unit	\$0	\$0	\$0	\$0
	27	27" High Unit	\$0	\$0	\$0	\$0
	29	29" High Unit	\$0	\$0	\$0	\$0
4 Frame Style	OF	Open Frame	\$0	\$0	\$0	\$0
	AF	Frosted Acrylic Panel	\$708	\$754	\$792	\$832
	WF	Wood Panel	\$708	\$754	\$792	\$832
	CF	Powder Coat MDF Panel	\$708	\$754	\$792	\$832
5 Edge Detail	WE	Wood Edge	\$95	\$95	\$95	\$95
	MM	3mm PVC Edge	\$0	\$0	\$0	\$0
	PC	Powder Coat	\$0	\$0	\$0	\$0
Available Upgrades						
Component	Code	Description	30" Wide	36" Wide	42" Wide	48" Wide
6 Power	-MX	M2X Cutout	\$45	\$45	\$45	\$45
	-Power unit ordered separately					
7 Wire Leg	-WL1	Wire Leg Location 1	\$437	\$437	\$437	\$437
	-WL2	Wire Leg Location 2	\$437	\$437	\$437	\$437
-Wire leg only available on Open Frame (OF) style tables						

Translate Study Table

Frame Base | Popular Items

The following products are **popular and frequently ordered items**. The catalog number, description, actual footprint, and list prices are all provided. The items can be used exactly as-is, as a starting point for budgetary purposes, or simply as examples. Contact project management for any further information.



TR-ST-3036-29-OF-PC

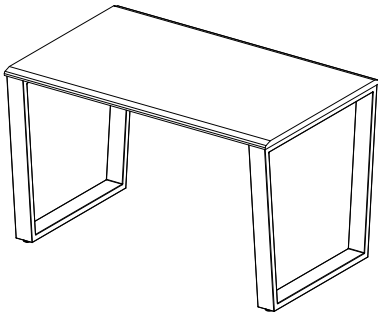
List Price - \$2,163

Nominal Size - 30" wide x 36" long x 29"H

Actual Footprint - 24"W x 36"L x 29"H

Frame Style - Open

Edge Detail - MDF, powder coat



TR-ST-3048-29-OF-PC

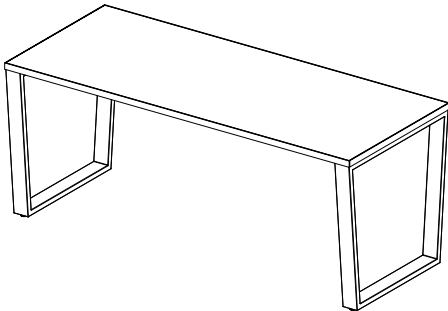
List Price - \$2,183

Nominal Size - 30" wide x 48" long x 29"H

Actual Footprint - 30"W x 48"L x 29"H

Frame Style - Open

Edge Detail - MDF, powder coat



TR-ST-3072-29-OF-MM

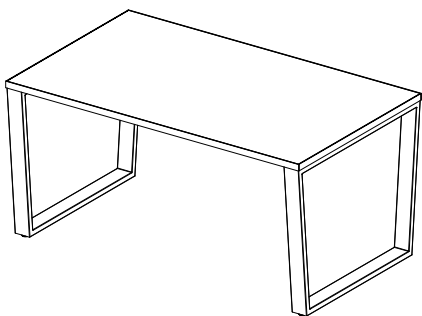
List Price - \$2,267

Nominal Size - 30" wide x 72" long x 29"H

Actual Footprint - 29-3/4"W x 71-3/4"L x 29"H

Frame Style - Open

Edge Detail - PVC



TR-ST-3660-29-OF-MM

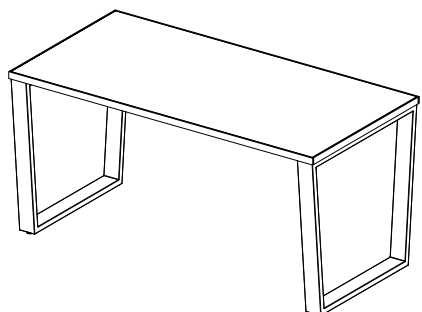
List Price - \$2,308

Nominal Size - 36"W x 60"L x 29"H

Actual Footprint - 35-3/4"W x 59-3/4"L x 29"H

Frame Style - Open

Edge Detail - PVC



TR-ST-3060-29-OF-WE

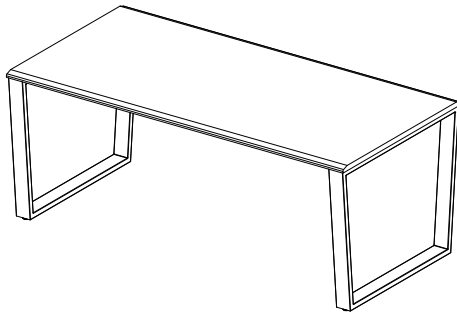
List Price - \$2,319

Nominal Size - 30" wide x 60" long x 29"H

Actual Footprint - 30"W x 60"L x 29"H

Frame Style - Open

Edge Detail - Wood



TR-ST-3672-29-OF-PC

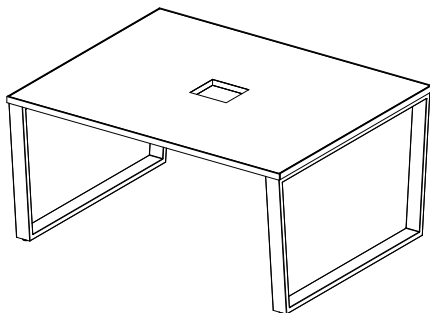
List Price - \$2,349

Nominal Size - 36" wide x 72" long x 29"H

Actual Footprint - 36"W x 72"L x 29"H

Frame Style - Open

Edge Detail - MDF, powder coat



TR-ST-4860-29-OF-WE-MX

List Price - \$2,531

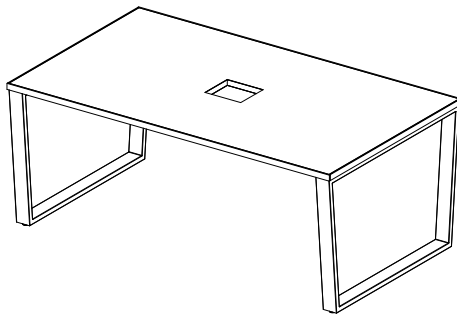
Nominal Size - 48" wide x 60" long x 29"H

Actual Footprint - 48"W x 60"L x 29"H

Frame Style - Open

Edge Detail - Wood

Power - M2X cutout



TR-ST-4272-29-OF-WE-MX

List Price - \$2,552

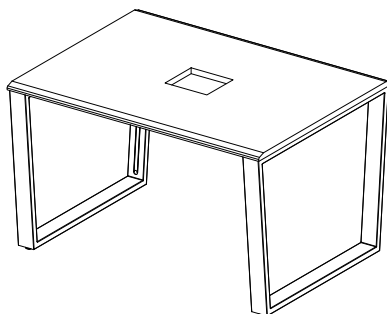
Nominal Size - 42" wide x 72" long x 29"H

Actual Footprint - 42"W x 72"L x 29"H

Frame Style - Open

Edge Detail - Wood

Power - M2X cutout



TR-ST-3648-29-OF-PC-MX-WL2

List Price - \$2,749

Wire Leg - Location 2

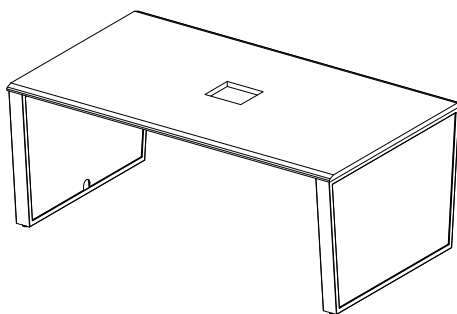
Nominal Size - 36" wide x 48" long x 29"H

Actual Footprint - 36"W x 48"L x 29"H

Frame Style - Open

Edge Detail - MDF, powder coat

Power - M2X cutout



TR-ST-4272-29-AF-WE-MX

List Price - \$3,343

Power -M2X cutout

Nominal Size - 42" wide x 72" long x 29"H

Actual Footprint - 42"W x 72"L x 29"H

Frame Style - Frosted acrylic panel

Edge Detail - Wood

Desking

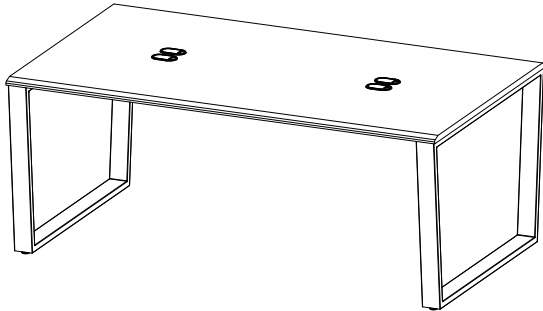
Effectively engage your space



Translate Desking

Terminology and Tips

The following guide is provided as a reference to some of LIAT's **Translate Desking terminology** along with tips to help with the planning process.

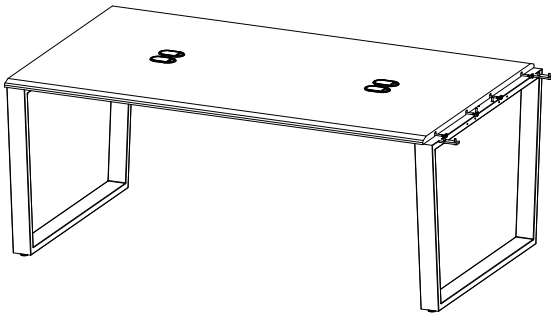


ISLAND

Island units are **stand-alone** or free-standing units.

The top is banded and/or profiled on all 4 sides.

The unit includes (2) end frames.



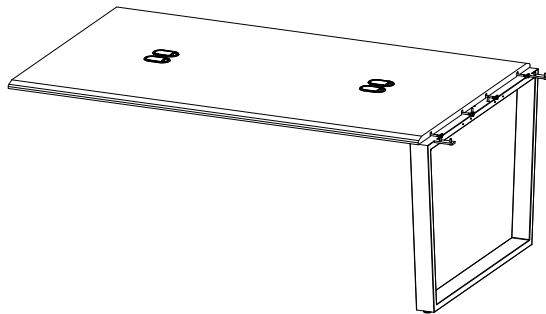
STARTER

Starter units act as a **starting point** for a run of desking units.

The top is banded and/or profiled on 2 long edges and 1 end.

The unit includes (1) end frame and (1) intermediate frame to be shared with the next unit in the run.

All starters must be ordered with an end unit.



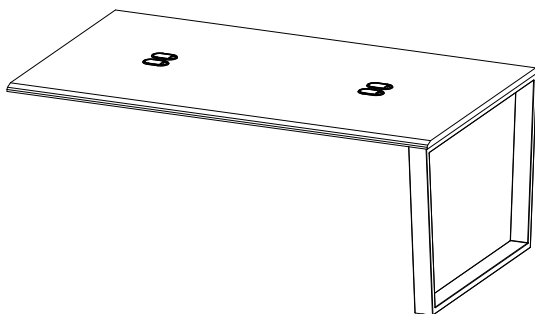
ADDER

Adder units act as an **extension** for a run of desking units.

The top is banded and/or profiled on 2 long edges only.

The unit includes (1) intermediate frame to be shared with the next unit in the run.

**All adders must be ordered with both a starter and an end unit.
There is no limit to the amount of adders allowed in a given run.**



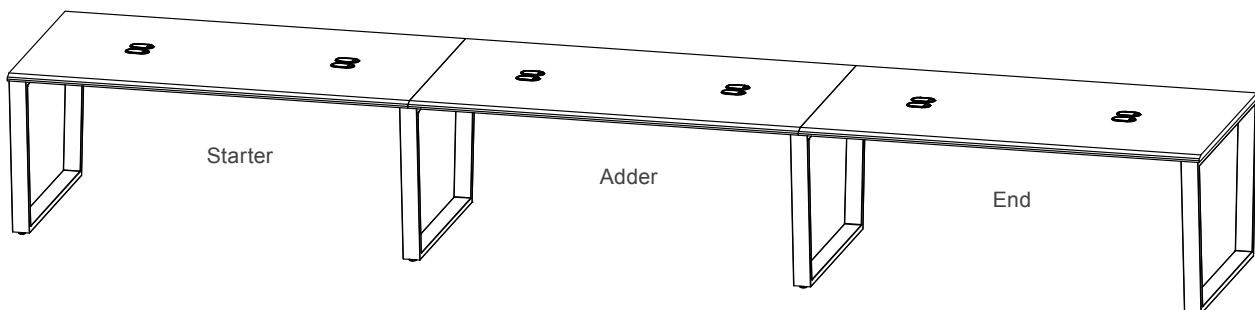
END

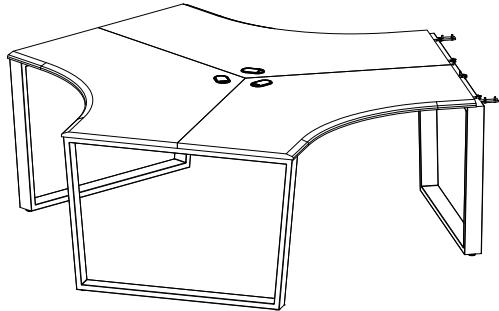
End units act as an **ending point** for a run of desking units.

The top is banded and/or profiled on 2 long edges and 1 end.

The unit includes (1) end frame.

All ends must be ordered with a starter unit.





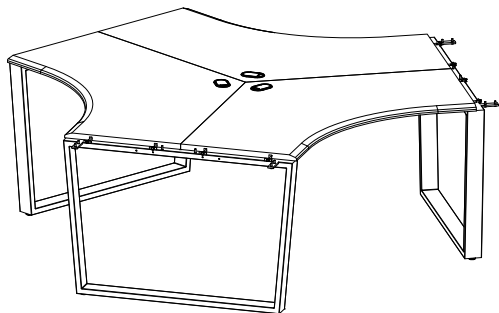
STARTER 1 (PODS)

Starter-1 units start a desking run in one direction.

The top is banded and/or profiled on all user sides and 2 ends

The unit includes (2) end frames and (1) intermediate frame to be shared with the next unit in the run.

There must be 1 end unit ordered for every Starter 1 unit.



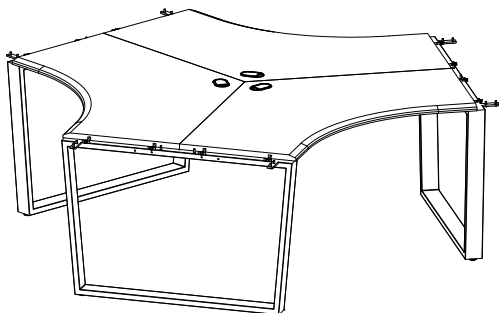
STARTER 2 (PODS)

Starter-2 units start a desking run in two directions.

The top is banded and/or profiled on all user sides and 1 end

The unit includes (1) end frame and (2) intermediate frames to be shared with the next units in the run.

There must be 2 end units ordered for every Starter 2 unit.



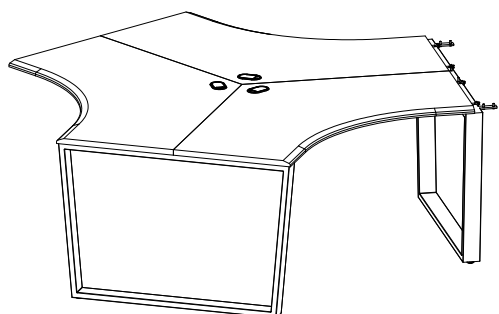
STARTER 3 (PODS)

Starter-3 units start a desking run in three directions.

The top is banded and/or profiled on all user sides

The unit includes (3) intermediate frames to be shared with the next units in the run.

There must be 3 end units ordered for every Starter 3 unit.



ADDER 1 (PODS)

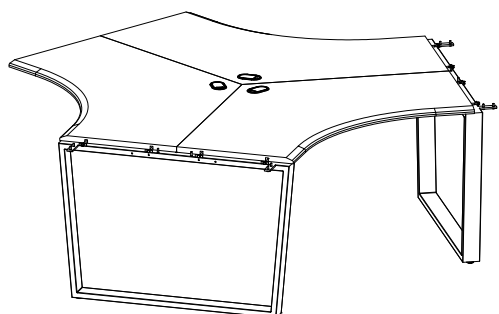
Adder-1 units continue a desking run in one direction.

The top is banded and/or profiled on all user sides and 1 ends

The unit includes (1) end frame and (1) intermediate frame to be shared with the next unit in the run.

All Adder-1 units must be ordered with both a starter and an end unit.

There is no limit to the amount of adders allowed in a given run.



ADDER 2 (PODS)

Adder-2 units continue a desking run in two directions.

The top is banded and/or profiled on all user sides

The unit includes (2) intermediate frames to be shared with the next unit in the run.

All Adder-2 units must be ordered with both a starter and 2 end units. Multiple end units may be required

There is no limit to the amount of adders allowed in a given run.

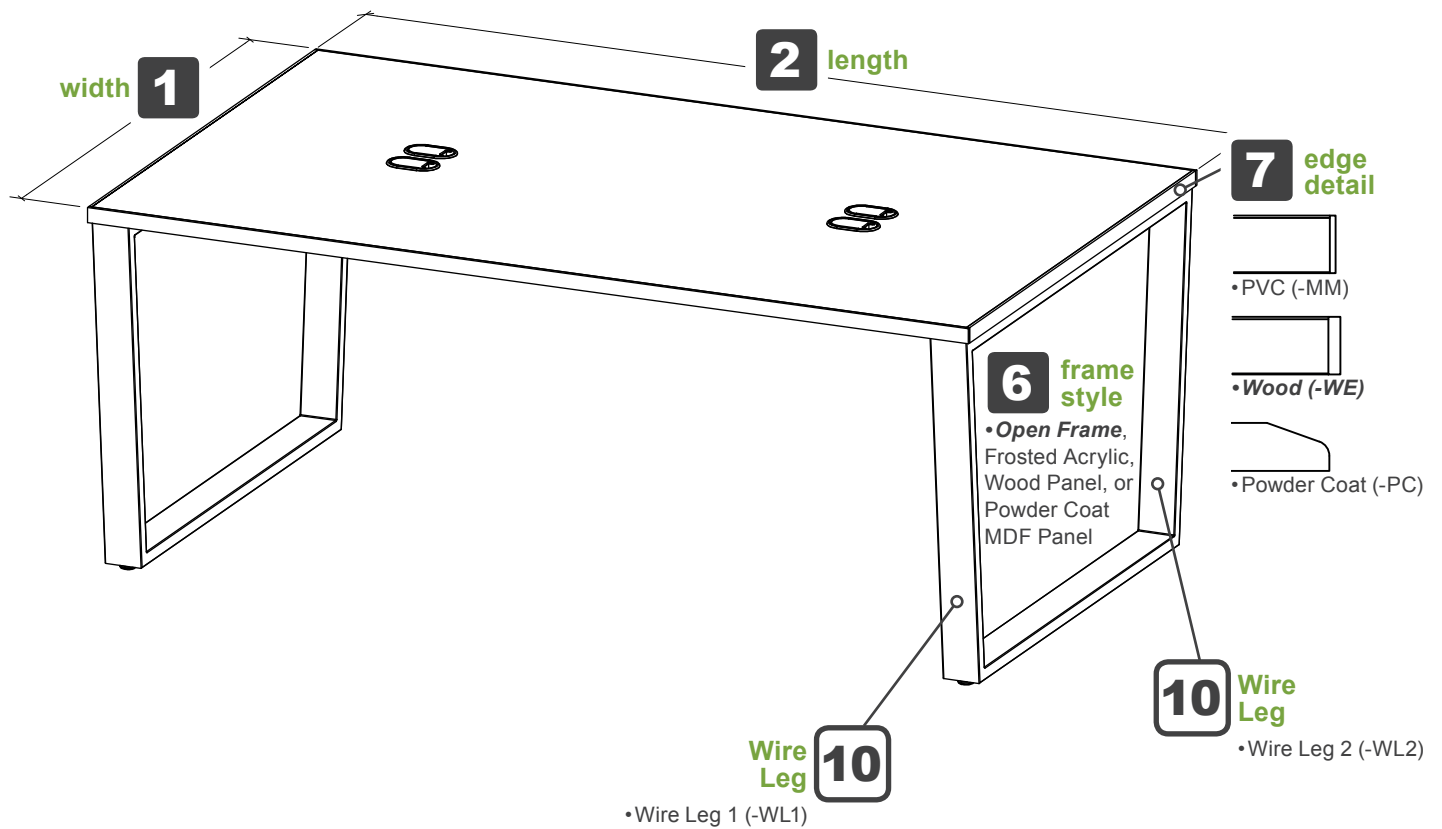
Translate Desking

Straight | Build Guide

Use the following guide to **determine the catalog number** for your Translate Straight Desking by **selecting your choice** from the available options. To **determine your list price**, add all prices for your selected items from the table to the right.

width
length
top shape
height
unit type
frame style
edge detail

TR - **DK** - **1** - **2** - **3** - **4** - **5** - **6** - **7**



Unit Shown TR-DK-4272S-29-I-OF-WE

List Price \$2,880

Required Selections							
Component	Code	Description	24" Wide	30" Wide	42" Wide	48" Wide	
1 Width	24	24" Wide Desking (Single Face)	\$0	-	-	-	
	30	30" Wide Desking (Single Face)	-	\$0	-	-	
	42	42" Wide Desking (Double Face)	-	-	\$0	-	
	48	48" Wide Desking (Double Face)	-	-	-	\$0	
2 Length	30	30" Long Straight Desking	\$1,580	\$1,601	\$1,683	\$1,704	
	36	36" Long Straight Desking	\$1,601	\$1,621	\$1,766	\$1,788	
	60	60" Long Straight Desking	\$1,725	\$1,746	\$2,016	\$2,058	
	72	72" Long Straight Desking	\$1,746	\$1,786	\$2,119	\$2,162	
3 Top Shape	S	Straight Top	\$0	\$0	\$0	\$0	
4 Height	25	25" High Unit	\$0	\$0	\$0	\$0	
	27	27" High Unit	\$0	\$0	\$0	\$0	
	29	29" High Unit	\$0	\$0	\$0	\$0	
5 Unit Type	I	Island	\$666	\$666	\$666	\$666	
	S	Starter	\$666	\$666	\$666	\$666	
	A	Adder	\$0	\$0	\$0	\$0	
	E	End	\$0	\$0	\$0	\$0	
6 Frame Style	OF	Open Frame	\$0	\$0	\$0	\$0	
	-Adder units must be open frame						
	Island Units	AF	Frosted Acrylic Panel	\$666	\$708	\$792	\$832
		WF	Wood Panel	\$666	\$708	\$792	\$832
		CF	Powder Coat MDF Panel	\$666	\$708	\$792	\$832
	Starter & End Units	AF	Frosted Acrylic Panel	\$333	\$354	\$396	\$416
		WF	Wood Panel	\$333	\$354	\$396	\$416
		CF	Powder Coat MDF Panel	\$333	\$354	\$396	\$416
	7 Edge Detail	WE	Wood Edge	\$95	\$95	\$95	\$95
		MM	3mm PVC Edge	\$0	\$0	\$0	\$0
PC		Powder Coat	\$0	\$0	\$0	\$0	

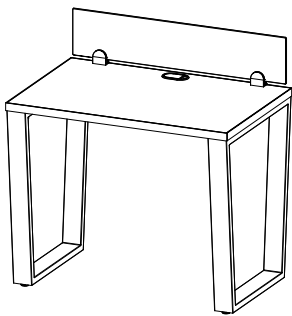
Continued

Available Upgrades						
Component	Code	Description	30" Long	36" Long	60" Long	72" Long
8	Divider Style					
	24" - 30" Wide Units	-AR Acrylic Divider (Single Face)	\$312	\$354	\$395	\$437
	42" - 48" Wide Island Units	-AR Acrylic Divider (Double Face)	\$521	\$562	\$603	\$645
	42" - 48" Wide Starter Units	-AR Acrylic Divider (Double Face)	\$562	\$603	\$644	\$686
	42" - 48" Wide Adder Units	-AR Acrylic Divider (Double Face)	\$354	\$395	\$436	\$478
	42" - 48" Wide End Units	-AR Acrylic Divider (Double Face)	\$313	\$354	\$395	\$437
9	Power	-MH Mho Cutout	\$45	\$45	\$45	\$45
		-Not available on units under 60" long; must be ordered separately.				
10	Wire Leg	-WL1 Wire Leg Location 1	\$437	\$437	\$437	\$437
		-Not available on adder units				
		-WL2 Wire Leg Location 2	\$437	\$437	\$437	\$437
		-Not available on adder units				
		-WLA Wire Leg Location - Int. Frame	\$437	\$437	\$437	\$437

Translate Desking

Straight | Popular Items

The following products are **popular and frequently ordered items**. The catalog number, description, actual footprint, and list prices are all provided. The items can be used exactly as-is, as a starting point for budgetary purposes, or simply as examples. Contact project management for any further information.



TR-DK-2436S-29-I-OF-MM-AR

List Price - \$2,621

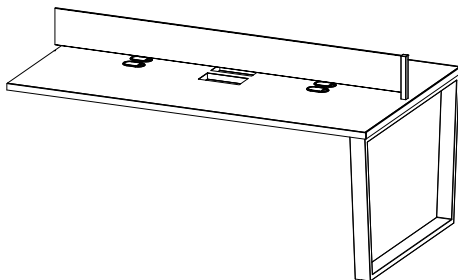
Nominal Size - 24"W x 36"L x 29"H

Actual Footprint - 23-3/4"W x 35-3/4"L x 29"H

Frame Style - Open

Edge Detail - MDF, powder coat

Divider Style - Frosted acrylic



TR-DK-4272S-29-E-OF-WE-AR-MH

List Price - \$2,696

Nominal Size - 42"W x 72"L x 29"H

Actual Footprint - 42"W x 70-1/4"L x 29"H

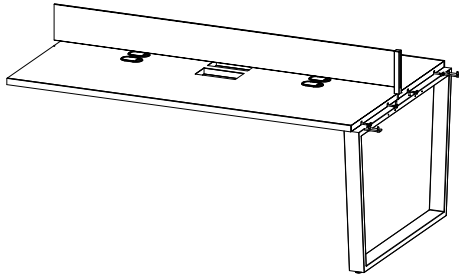
Frame Style - Open

Edge Detail - Wood

Divider Style - Frosted acrylic

Power - Mho cutout

Unit Type - Ender

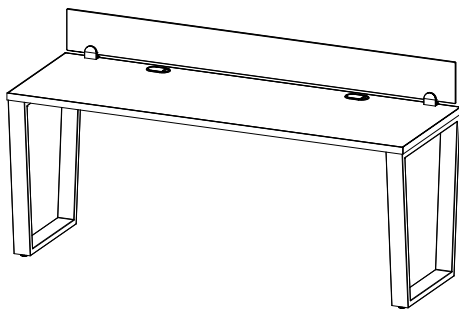


TR-DK-4272S-29-A-OF-WE-AR-MH

Nominal Size - 42"W x 72"L x 29"H
Actual Footprint - 42"W x 68-1/2"L x 29"H
Frame Style - Open
Edge Detail - Wood
Divider Style - Frosted acrylic

List Price - \$2,737

Power - Mho cutout
Unit Type - Adder

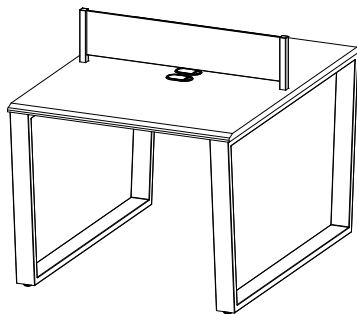


TR-DK-2472S-29-I-OF-MM-AR

Nominal Size - 24"W x 72"L x 29"H
Actual Footprint - 23-3/4"W x 71-3/4"L x 29"H
Frame Style - Open
Edge Detail - PVC
Divider Style - Frosted acrylic

List Price - \$2,849

Unit Type - Island

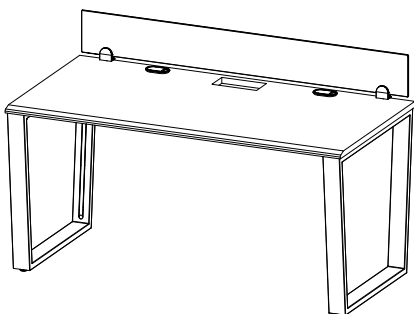


TR-DK-4836S-29-I-OF-PC-AR

Nominal Size - 48"W x 36"L x 29"H
Actual Footprint - 24"W x 36"L x 29"H
Frame Style - Open
Edge Detail - MDF, powder coat
Divider Style - Frosted acrylic

List Price - \$3,016

Unit Type - Island

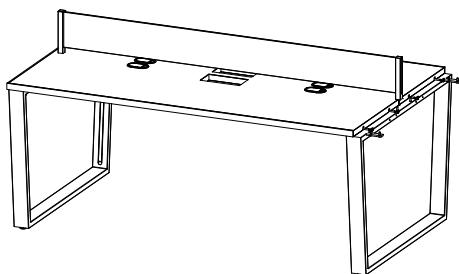


TR-DK-3060S-29-I-OF-PC-AR-MH-WL1

Nominal Size - 30"W x 60"L x 29"H
Actual Footprint - 30"W x 60"L x 29"H
Frame Style - Open
Edge Detail - MDF, powder coat
Divider Style - Frosted acrylic

List Price - \$3,289

Unit Type - Island
Power - Mho cutout
Wire Leg - Location 1



TR-DK-4272S-29-S-OF-WE-AR-MH-WL1

Nominal Size - 42"W x 72"L x 29"H
Actual Footprint - 42"W x 70-1/4"L x 29"H
Frame Style - Open
Edge Detail - Wood

List Price - \$4,047

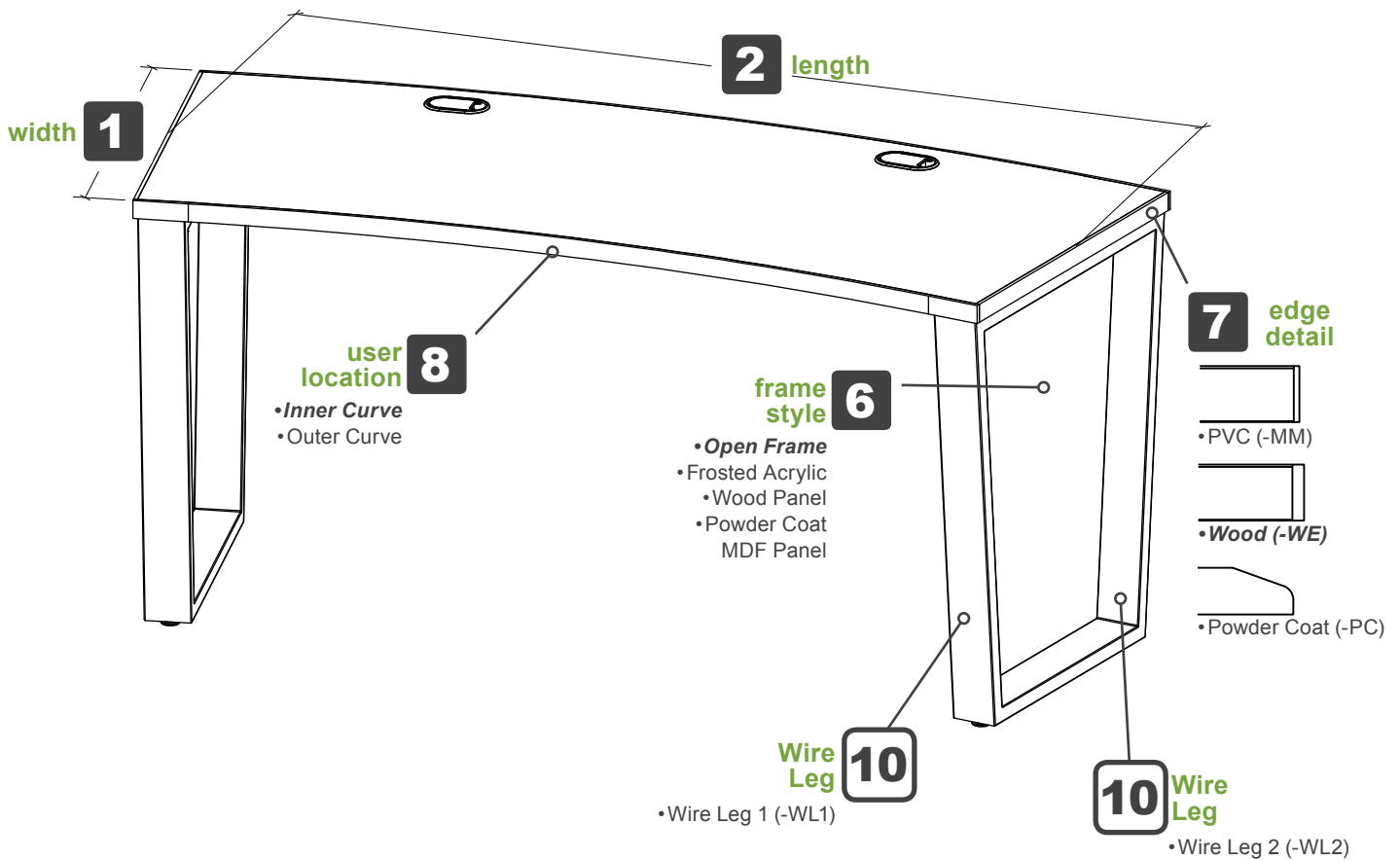
Divider Style - Frosted acrylic
Unit Type - Starter
Power - Mho cutout
Wire Leg - Location 1

Translate Desking

Single Face Arc | Build Guide

Use the following guide to **determine the catalog number** for your Translate Single Face Arc Desking by **selecting your choice** from the available options. To **determine your list price**, add all prices for your selected items from the table to the right.

	width	length	top shape	height	unit type	frame style	edge detail	user location
TR - DK -	1	2	3	4	5	6	7	8



Unit Shown TR-DK-2460A-29-I-OF-WE-IC

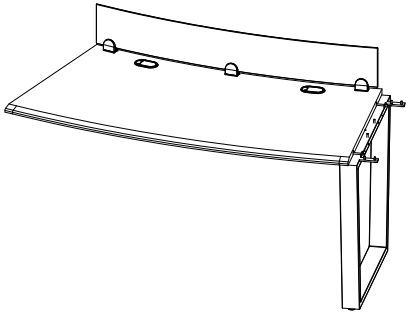
List Price \$2,709

Required Selections								
Component	Code	Description	24" Wide	30" Wide				
1	Width	24	24" Wide Arc Desking	\$0	-			
		30	30" Wide Arc Desking	-	\$0			
2	Length	30	30" Long Arc Desking	\$1,746	\$1,766			
		36	36" Long Arc Desking	\$1,775	\$1,800			
		60	60" Long Arc Desking	\$1,949	\$1,982			
		72	72" Long Arc Desking	\$1,978	\$2,036			
3	Top Shape	A	Arc Top	\$0	\$0			
4	Height	25	25" High Unit	\$0	\$0			
		27	27" High Unit	\$0	\$0			
		29	29" High Unit	\$0	\$0			
5	Unit Type	I	Island	\$666	\$666			
		S	Starter	\$666	\$666			
		A	Adder	\$0	\$0			
		AR	Adder (Reversed)	\$0	\$0			
		E	End	\$0	\$0			
		ER	End (Reversed)	\$0	\$0			
6	Frame Style	OF	Open Frame	\$0	\$0			
		-Adder & Adder units must be open frame						
		Island Units	AF	Frosted Acrylic Panel	\$666	\$708		
			WF	Wood Panel	\$666	\$708		
			CF	Powder Coat MDF Panel	\$666	\$708		
		Starter & End Units	AF	Frosted Acrylic Panel	\$333	\$354		
			WF	Wood Panel	\$333	\$354		
			CF	Powder Coat MDF Panel	\$333	\$354		
		7	Edge Detail	WE	Wood Edge	\$95	\$95	
				MM	3mm PVC Edge	\$0	\$0	
PC	Powder Coat			\$0	\$0			
8	User Location	IC	Inner Curve	\$0	\$0			
		OC	Outer Curve	\$0	\$0			
Available Upgrades								
Component	Code	Description	30" Long	36" Long	60" Long	72" Long		
9	Divider Style	-AR	Acrylic Divider	\$312	\$354	\$395	\$437	
10	Wire Leg	-WL1	Wire Leg Location 1	\$437	\$437	\$437	\$437	
		-Not available on adder units						
		-WL2	Wire Leg Location 2	\$437	\$437	\$437	\$437	
-Not available on adder units								
		-WLA	Wire Leg Location - Int Frame	\$437	\$437	\$437	\$437	
-Available on starter/adder units only								

Translate Desking

Single Face Arc | Popular Items

The following products are **popular and frequently ordered items**. The catalog number, description, actual footprint, and list prices are all provided. The items can be used exactly as-is, as a starting point for budgetary purposes, or simply as examples. Contact project management for any further information.

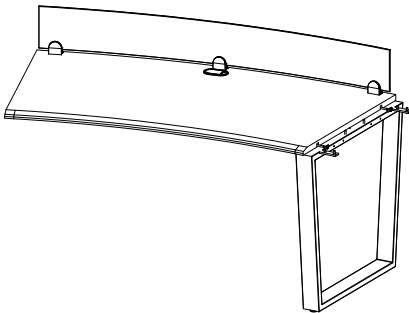


TR-DK-3060A-29-AR-OF-PC-OC-AR

Nominal Size - 30"W x 60"L x 29"H
Actual Footprint - 32-3/8"W x 61-3/4"L x 29"H
Frame Style - Open
Edge Detail - MDF, powder coat
User Location - Outer curve

List Price - \$2,377

Divider Style - Frosted acrylic
Unit Type - Adder (reversed)

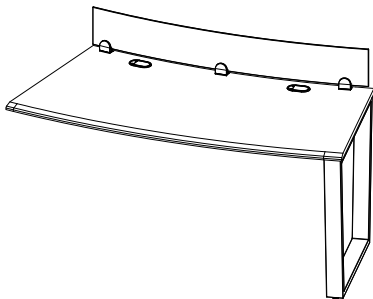


TR-DK-3060A-29-A-OF-PC-IC-AR

Nominal Size - 30"W x 60"L x 29"H
Actual Footprint - 32-3/8"W x 61-3/4"L x 29"H
Frame Style - Open
Edge Detail - MDF, powder coat
User Location - Inner curve

List Price - \$2,377

Divider Style - Frosted acrylic
Unit Type - Adder

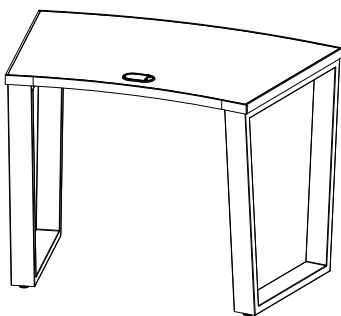


TR-DK-3060A-29-ER-OF-PC-OC-AR

Nominal Size - 30"W x 60"L x 29"H
Actual Footprint - 32-11/16"W x 63-1/2"L x 29"H
Frame Style - Open
Edge Detail - MDF, powder coat
User Location - Outer curve

List Price - \$2,377

Divider Style - Frosted acrylic
Unit Type - End (reversed)

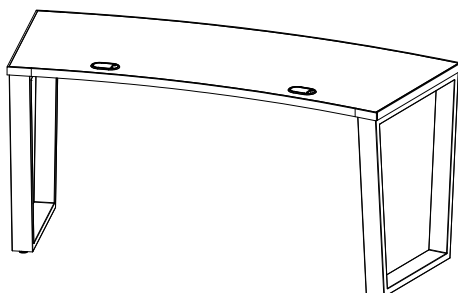


TR-DK-2436A-29-I-OF-WE-OC

Nominal Size - 24"W x 36"L x 29"H
Actual Footprint - 25-11/16"W x 40-3/16"L x 29"H
Frame Style - Open
Edge Detail - Wood
User Location - Outer curve

List Price - \$2,535

Unit Type - Island

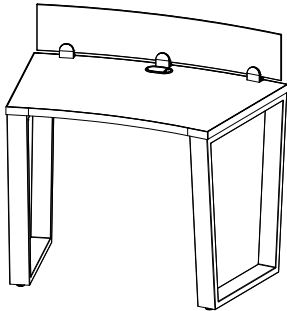


TR-DK-2460A-29-I-OF-WE-OC

Nominal Size - 24"W x 60"L x 29"H
Actual Footprint - 26-3/4"W x 64-3/16"L x 29"H
Frame Style - Open
Edge Detail - Wood
User Location - Outer

List Price - \$2,709

Unit Type - Island

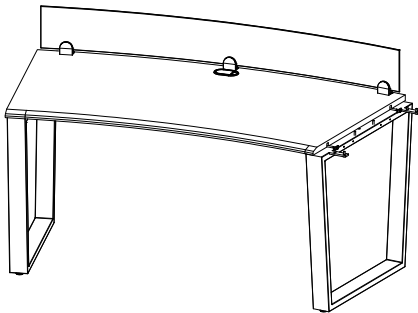


TR-DK-2436A-29-I-OF-MM-IC-AR

Nominal Size - 24"W x 36"L x 29"H
Actual Footprint - 25-7/16"W x 39-7/8"L x 29"H
Frame Style - Open
Edge Detail - PVC
User Location - Inner curve

List Price - \$2,794

Divider Style - Frosted acrylic
Unit Type - Island

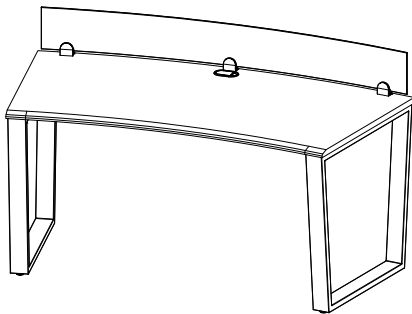


TR-DK-3060A-29-S-OF-PC-IC-AR

Nominal Size - 30"W x 60"L x 29"H
Actual Footprint - 32-11/16"W x 63-1/2"L x 29"H
Frame Style - Open
Edge Detail - MDF, powder coat
User Location - Inner curve

List Price - \$3,043

Divider Style - Frosted acrylic
Unit Type - Starter

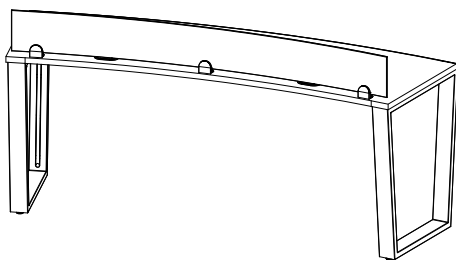


TR-DK-3060A-29-I-OF-PC-IC-AR

Nominal Size - 30"W x 60"L x 29"H
Actual Footprint - 32-11/16"W x 65-3/16"L x 29"H
Frame Style - Open
Edge Detail - MDF, powder coat
User Location - Inner curve

List Price - \$3,043

Divider Style - Frosted acrylic
Unit Type - Island

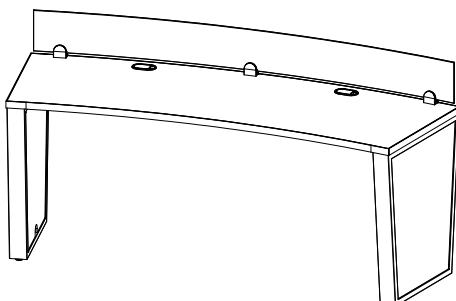


TR-DK-2472A-29-I-OF-PC-OC-AR-WL1

Nominal Size - 24"W x 72"L x 29"H
Actual Footprint - 27-1/4"W x 76-3/16"L x 29"H
Frame Style - Open
Edge Detail - MDF, powder coat
User Location - Outer Curve

List Price - \$3,518

Divider Style - Frosted acrylic
Unit Type - Island
Wire Leg - Location 1



TR-DK-2472A-29-I-AF-MM-IC-AR

Nominal Size - 24"W x 72"L x 29"H
Actual Footprint - 27"W x 75-7/8"L x 29"H
Frame Style - Frosted acrylic panel
Edge Detail - PVC

List Price - \$3,746

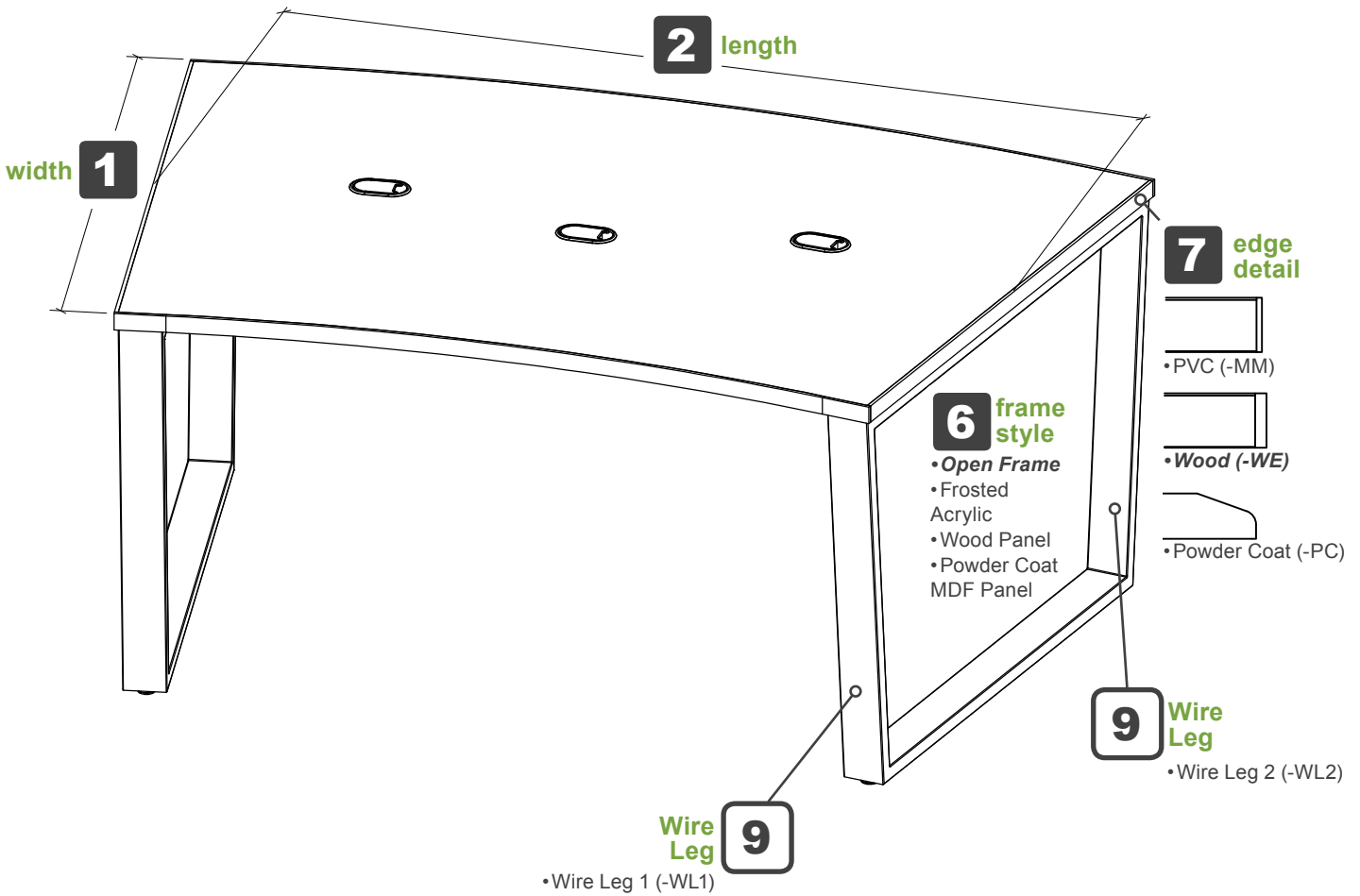
User Location - Inner curve
Divider Style - Frosted acrylic
Unit Type - Island

Translate Desking

Double Face Arc | Build Guide

Use the following guide to **determine the catalog number** for your Translate Double Face Arc Desking by **selecting your choice** from the available options. To **determine your list price**, add all prices for your selected items from the table to the right.

	width	length	top shape	height	unit type	frame style	edge detail
TR - DK -	1	2	3	4	5	6	7



Unit Shown TR-DK-4260A-29-I-OF-WE

List Price \$3,117

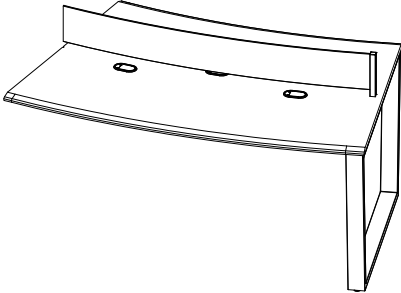
Required Selections					
Component	Code	Description	42" Wide	48" Wide	
1 Width	42	42" Wide Arc Desking	\$0	-	
	48	48" Wide Arc Desking	-	\$0	
2 Length	36	36" Long Arc Desking	\$2,008	\$2,066	
	60	60" Long Arc Desking	\$2,357	\$2,415	
	72	72" Long Arc Desking	\$2,477	\$2,561	
3 Top Shape	A	Arc Top	\$0	\$0	
4 Height	25	25" High Unit	\$0	\$0	
	27	27" High Unit	\$0	\$0	
	29	29" High Unit	\$0	\$0	
5 Unit Type	I	Island	\$666	\$666	
	S	Starter	\$666	\$666	
	A	Adder	\$0	\$0	
	AR	Adder (Reversed)	\$0	\$0	
	E	End	\$0	\$0	
	ER	End (Reversed)	\$0	\$0	
6 Frame Style	OF	Open Frame	\$0	\$0	
	-Adder units must be open frame				
	Island Units	AF	Frosted Acrylic Panel	\$792	\$832
		WF	Wood Panel	\$792	\$832
		CF	Powder Coat MDF Panel	\$792	\$832
	Starter & End Units	AF	Frosted Acrylic Panel	\$396	\$416
		WF	Wood Panel	\$396	\$416
		CF	Powder Coat MDF Panel	\$396	\$416
	7 Edge Detail	WE	Wood Edge	\$95	\$95
		MM	3mm PVC Edge	\$0	\$0
PC		Powder Coat	\$0	\$0	

Available Upgrades							
Component	Code	Description	36" Long	60" Long	72" Long		
8 Divider Style	Island Units	-AR	Acrylic Divider (Island)	\$562	\$603	\$645	
	Starter Units	-AR	Acrylic Divider (Starter)	\$603	\$644	\$686	
	Adder Units	-AR	Acrylic Divider (Adder)	\$395	\$436	\$478	
	End Units	-AR	Acrylic Divider (End)	\$354	\$395	\$437	
	9 Wire Leg		-WL1	Wire Leg Location 1	\$437	\$437	\$437
		-WL2	Wire Leg Location 2	\$437	\$437	\$437	
-WL1 & WL2 Not available on adder units							
		-WLA	Wire Leg Location - Intermediate Frame	\$437	\$437	\$437	
-Available on starter/adder units only							

Translate Desking

Double Face Arc | Popular Items

The following products are **popular and frequently ordered items**. The catalog number, description, actual footprint, and list prices are all provided. The items can be used exactly as-is, as a starting point for budgetary purposes, or simply as examples. Contact project management for any further information.



TR-DK-4260A-29-ER-OF-PC-AR

List Price - \$2,752

Nominal Size - 42"W x 60"L x 29"H

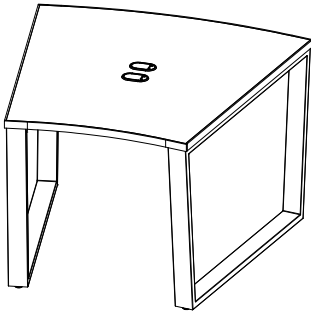
Unit Type - End (reversed)

Actual Footprint - 44-9/16"W x 65-9/16"L x 29"H

Frame Style - Open

Edge Detail - MDF, powder coat

Divider Style - Frosted acrylic



TR-DK-4236A-29-I-OF-WE

List Price - \$2,768

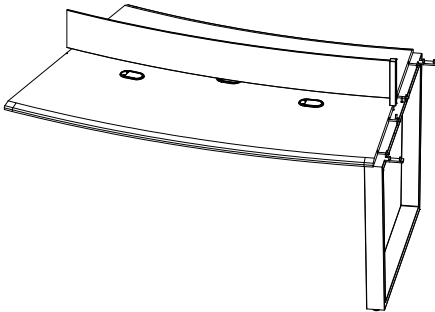
Nominal Size - 42"W x 36"L x 29"H

Actual Footprint - 43-9/16"W x 43-5/16"L x 29"H

Frame Style - Open

Edge Detail - Wood

Unit Type - Island



TR-DK-4260A-29-AR-OF-PC-AR

List Price - \$2,793

Nominal Size - 42"W x 60"L x 29"H

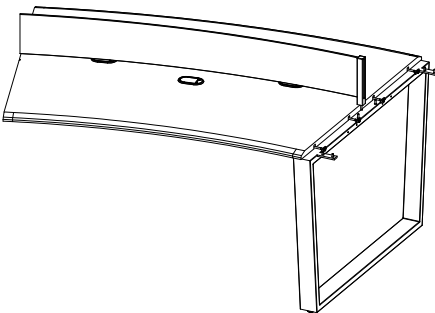
Unit Type - Adder (reversed)

Actual Footprint - 44-5/16"W x 63-7/8"L x 29"H

Frame Style - Open

Edge Detail - MDF, powder coat

Divider Style - Frosted acrylic



TR-DK-4260A-29-A-OF-PC-AR

List Price - \$2,793

Nominal Size - 42"W x 60"L x 29"H

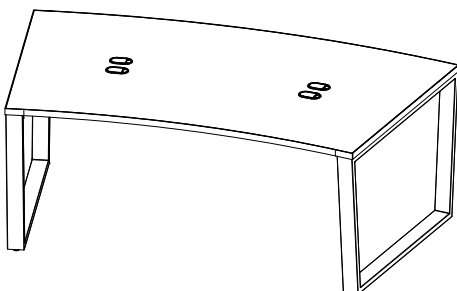
Unit Type - Adder

Actual Footprint - 44-5/16"W x 63-7/8"L x 29"H

Frame Style - Open

Edge Detail - MDF, powder coat

Divider Style - Frosted acrylic



TR-DK-4272A-29-I-OF-MM

List Price - \$3,142

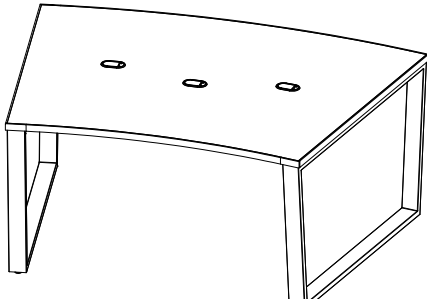
Nominal Size - 42"W x 72"L x 29"H

Actual Footprint - 44-7/8"W x 79"L x 29"H

Frame Style - Open

Edge Detail - PVC

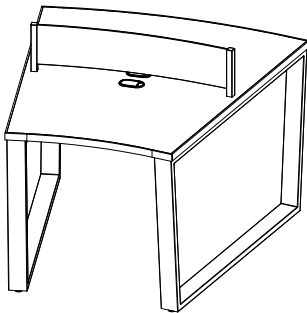
Unit type - Island



TR-DK-4860A-29-I-OF-WE

List Price - \$3,175

Nominal Size - 48"W x 60"L x 29"H
Actual Footprint - 50-9/16"W x 68-5/16"L x 29"H
Frame Style - Open
Edge Detail - Wood
Unit Type - Island

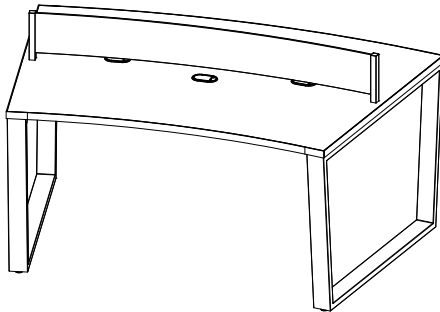


TR-DK-4836A-29-I-OF-WE-AR

List Price - \$3,388

Unit Type - Island

Nominal Size - 48"W x 36"L x 29"H
Actual Footprint - 49-1/2"W x 44-5/16"L x 29"H
Frame Style - Open
Edge Detail - Wood
Divider Style - Frosted acrylic

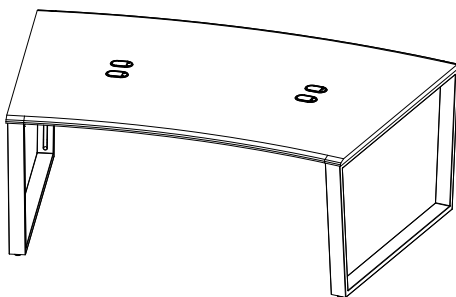


TR-DK-4260A-29-I-OF-MM-AR

List Price - \$3,626

Unit Type - Island

Nominal Size - 42"W x 60"L x 29"H
Actual Footprint - 44-5/16"W x 67"L x 29"H
Frame Style - Open
Edge Detail - PVC
Divider Style - Frosted acrylic

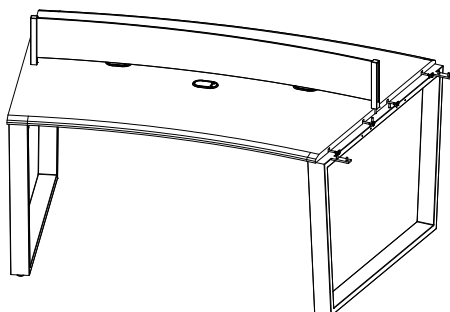


TR-DK-4872A-29-I-OF-PC-WL1

List Price - \$3,663

Unit Type - Island

Nominal Size - 48"W x 72"L x 29"H
Actual Footprint - 51-1/16"W x 80-5/16"L x 29"H
Frame Style - Open
Edge Detail - MDF, powder coat
Wire Leg - Location 1



TR-DK-4260A-29-S-OF-PC-AR

List Price - \$3,667

Divider Style - Frosted acrylic

Unit Type - Starter

Nominal Size - 42"W x 60"L x 29"H
Actual Footprint - 44-9/16"W x 65-9/16"L x 29"H
Frame Style - Open
Edge Detail - MDF, powder coat

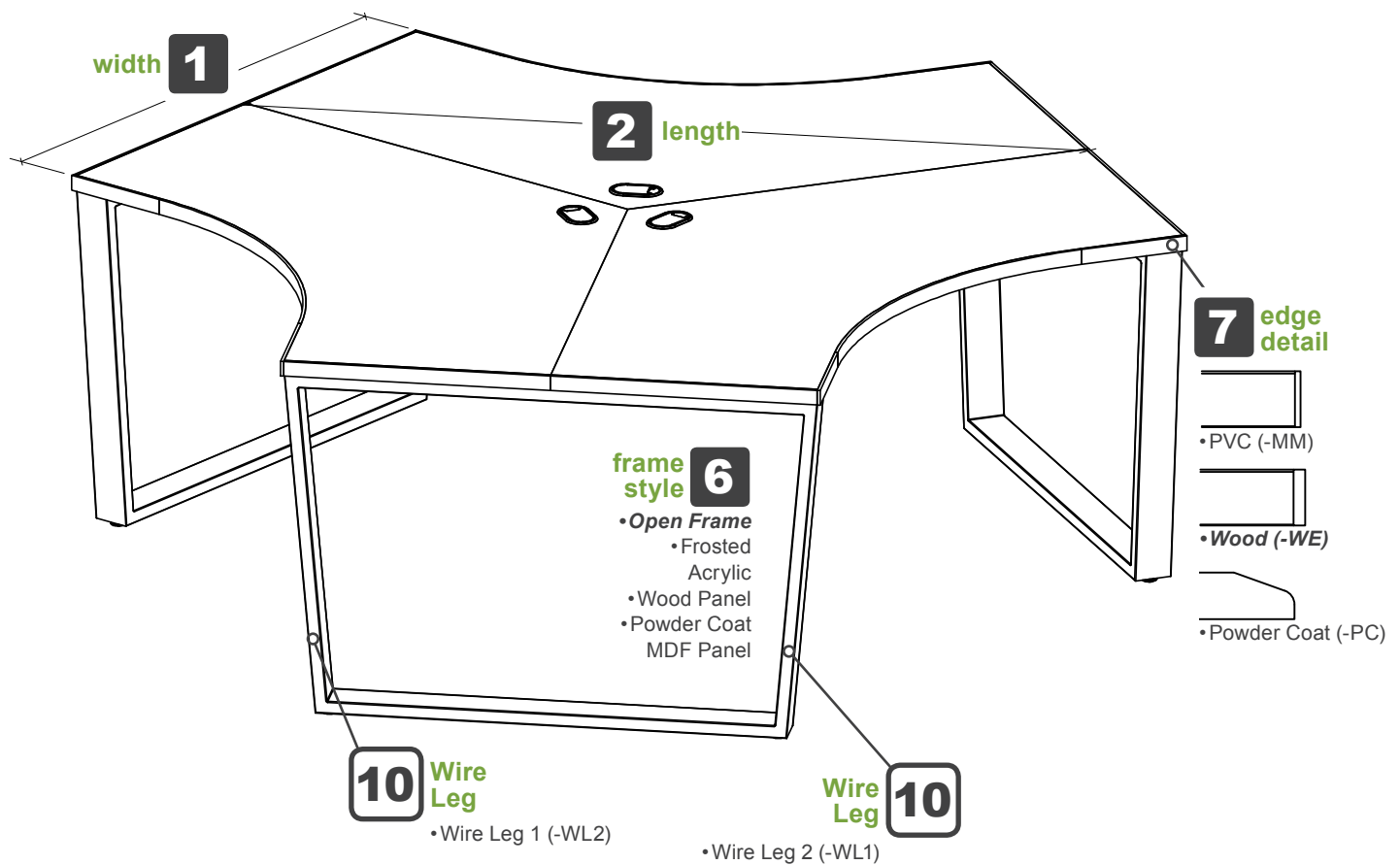
Translate Desking

Pod | Build Guide

Use the following guide to **determine the catalog number** for your Translate Pod Desking by selecting your choice from the available options. To determine your list price, add all prices for your selected items from the table to the right.

width
length
top shape
height
unit type
frame style
edge detail

TR - DK -
1
2
3
-
4
-
5
-
6
-
7



Unit Shown TR-DK-4266P-29-I-OF-WE

List Price \$6,997

Required Selections							
Component	Code	Description	66" Long	84" Long	92" Long		
1	Width	42	42" Wide Pod Desking	\$6,048	\$6,360	\$6,672	
		48	48" Wide Pod Desking	\$6,173	\$6,485	\$6,859	
2	Length	66	66" Long Pod Desking (3 Station)	\$0	-	-	
		84	84" Long Pod Desking (6 Station)	-	\$0	-	
		92	92" Long Pod Desking (6 Station)	-	-	\$0	
3	Top Shape	P	Pod Top	\$0	\$0	\$0	
4	Height	25	25" High Unit	\$0	\$0	\$0	
		27	27" High Unit	\$0	\$0	\$0	
		29	29" High Unit	\$0	\$0	\$0	
Component	Code	Description	42" Wide	48" Wide			
5	Unit Type	I	Island	\$666	\$666		
		S1	Starter 1	\$666	\$666		
		S2	Starter 2	\$666	\$666		
		S3	Starter 3	\$666	\$666		
		A1	Adder 1	\$0	\$0		
		A2	Adder 2	\$0	\$0		
		E	End	\$0	\$0		
		6	Frame Style	OF	Open Frame	\$0	\$0
			-Starter 3 Units & Adder 2 Units must be open Frame				
	Island Units	AF	Frosted Acrylic Panel	\$1,188	\$1,247		
WF		Wood Panel	\$1,188	\$1,247			
CF		Powder Coat MDF Panel	\$1,188	\$1,247			
	Starter 1 Units & End Units	AF	Frosted Acrylic Panel	\$792	\$832		
WF		Wood Panel	\$792	\$832			
CF		Powder Coat MDF Panel	\$792	\$832			
	Starter 2 Units & Adder 1 Units	AF	Frosted Acrylic Panel	\$396	\$416		
WF		Wood Panel	\$396	\$416			
CF		Powder Coat MDF Panel	\$396	\$416			
7	Edge Detail	WE	1/2" Wood "A" Edge	\$284	\$284		
		MM	3mm PVC Edge	\$0	\$0		
		PC	Powder Coat	\$0	\$0		

Continued

Translate Desking

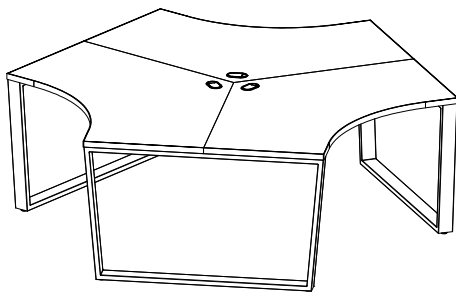
Pod | Pricing Guide (Continued)

Available Upgrades					
Component	Code	Description	66" Long	84" Long	92" Long
8	Divider Style				
	Island Units	-AR Acrylic Divider (Island)	\$1,684	\$1,809	\$1,934
	Starter 1 Units	-AR Acrylic Divider (Starter 1)	\$1,725	\$1,850	\$1,975
	Starter 2 Units	-AR Acrylic Divider (Starter 2)	\$1,766	\$1,891	\$2,016
	Starter 3 Units	-AR Acrylic Divider (Starter 3)	\$1,807	\$1,932	\$2,057
	Adder 1 Units	-AR Acrylic Divider (Adder 1)	\$1,517	\$1,642	\$1,767
	Adder 2 Units	-AR Acrylic Divider (Adder 2)	\$1,558	\$1,683	\$1,808
	End Units	-AR Acrylic Divider (End)	\$1,476	\$1,601	\$1,726
9	Power	-MH Mho Cutout	\$135	\$135	\$135
		-Power units must be ordered separately.			
10	Wire Leg	-WL1 Wire Leg Location 1	\$437	\$437	\$437
		-Not available on adder units			
		-WL2 Wire Leg Location 2	\$437	\$437	\$437
		-Not available on adder units			
		-WLA Wire Leg Location - Intermediate Frame	\$437	\$437	\$437
		-Available on starter/adder units only			

Translate Desking

Pod | Popular Items

The following products are **popular and frequently ordered items**. The catalog number, description, actual footprint, and list prices are all provided. The items can be used exactly as-is, as a starting point for budgetary purposes, or simply as examples. Contact project management for any further information.



TR-DK-4866P-29-I-OF-MM

List Price - \$6,839

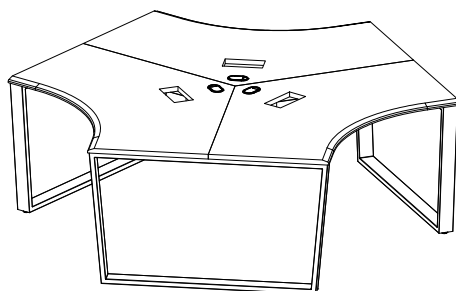
Nominal Size - 48"W x 66"L x 29"H

Actual Footprint - 77-7/16"W x 89-3/8"L x 29"H

Frame Style - Open

Edge Detail - PVC

Unit Type - Island



TR-DK-4866P-29-I-OF-PC-MH

List Price - \$6,974

Nominal Size - 48"W x 66"L x 29"H

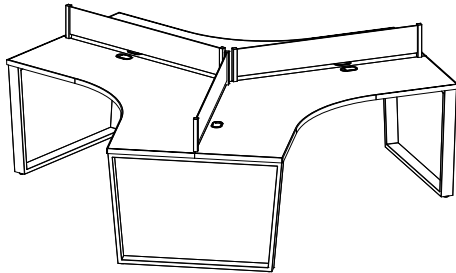
Actual Footprint - 77-11/16"W x 89-3/4"L x 29"H

Frame Style - Open

Edge Detail - MDF, powder coat

Unit Type - Island

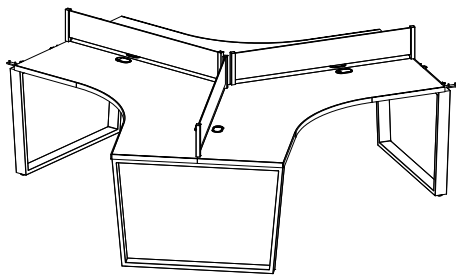
Power - Mho cutout



TR-DK-4284P-29-I-OF-WE-AR

Nominal Size - 42"W x 84"L x 29"H
Actual Footprint - 93-1/8"W x 107-1/2"L x 29"H
Frame Style - Open
Edge Detail - Wood
Divider Style - Frosted acrylic

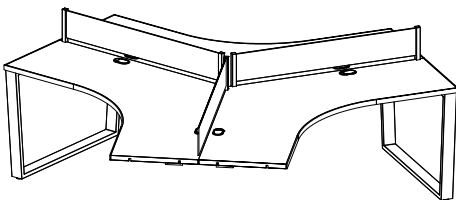
List Price - \$9,118
Unit Type - Island



TR-DK-4284P-29-S2-OF-WE-AR

Nominal Size - 42"W x 84"L x 29"H
Actual Footprint - 92-1/4"W x 104-1/2"L x 29"H
Frame Style - Open
Edge Detail - Wood
Divider Style - Frosted acrylic

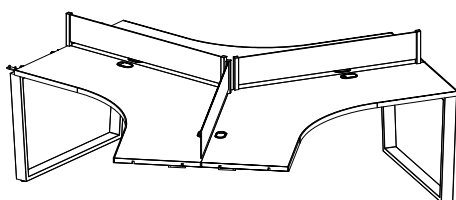
List Price - \$9,200
Unit Type - Starter



TR-DK-4284P-29-E-OF-WE-AR

Nominal Size - 42"W x 84"L x 29"H
Actual Footprint - 91-1/8"W x 107-1/2"L x 29"H
Frame Style - Open
Edge Detail - Wood
Divider Style - Frosted acrylic

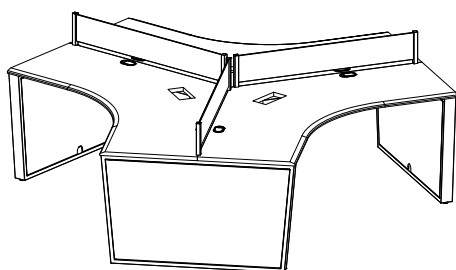
List Price - \$8,245
Unit Type - End



TR-DK-4284P-29-A1-OF-WE-AR

Nominal Size - 42"W x 84"L x 29"H
Actual Footprint - 90-1/2"W x 106"L x 29"H
Frame Style - Open
Edge Detail - Wood
Divider Style - Acrylic

List Price - \$8,286
Unit Type - Adder



TR-DK-4884P-29-I-AF-PC-AR-MH

Nominal Size - 48"W x 84"L x 29"H
Actual Footprint - 95-11/16"W x 110-1/2"L x 29"H
Frame Style - Frosted acrylic panel
Edge Detail - MDF, powder coat

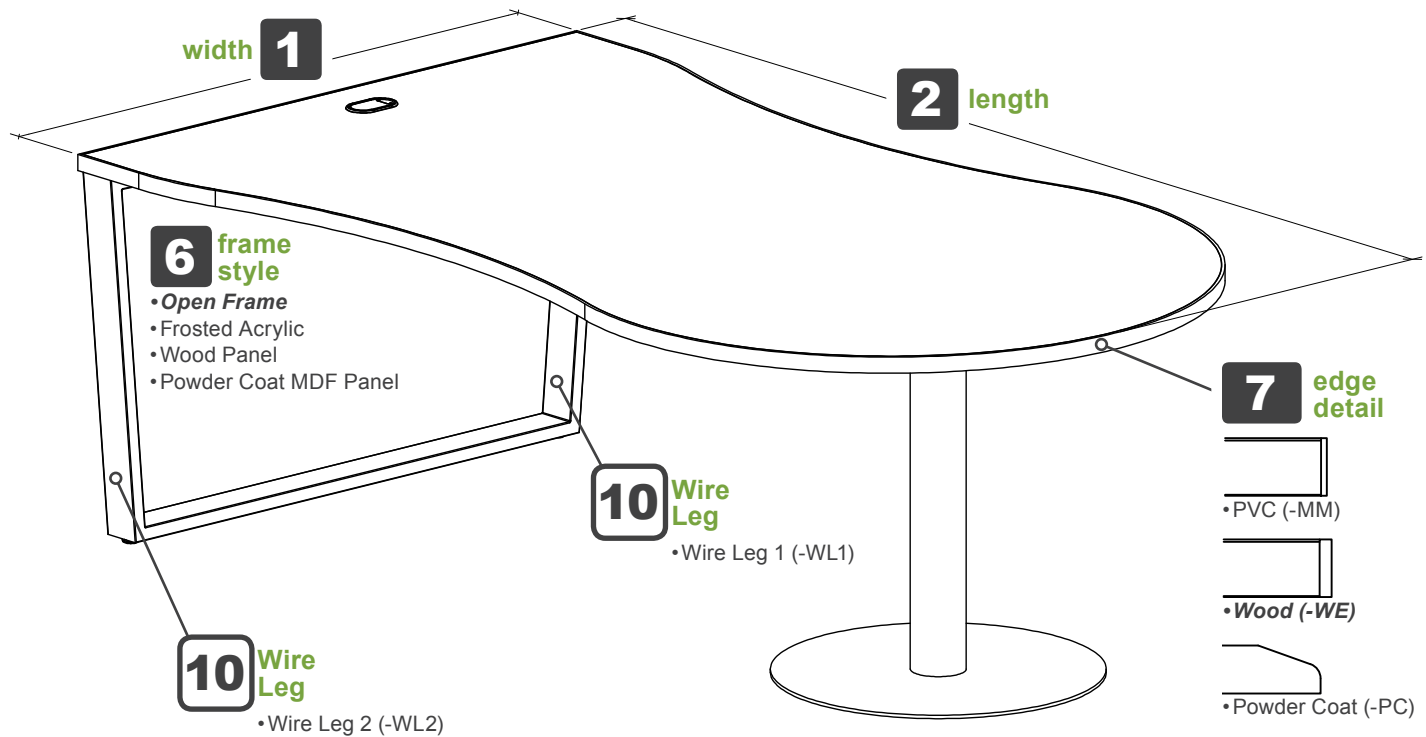
List Price - \$10,342
Divider Style - Frosted acrylic
Unit Type - Island
Power - Mho cutout

Translate Desking

Share | Build Guide

Use the following guide to **determine the catalog number** for your Translate Share Desking by **selecting your choice** from the available options. To **determine your list price**, add all prices for your selected items from the table to the right.

	width	length	top shape	height	unit type	frame style	edge detail
TR - DK -	1	2	3	4	5	6	7



Unit Shown TR-DK-4884F-29-I-OF-WE

List Price \$3,746

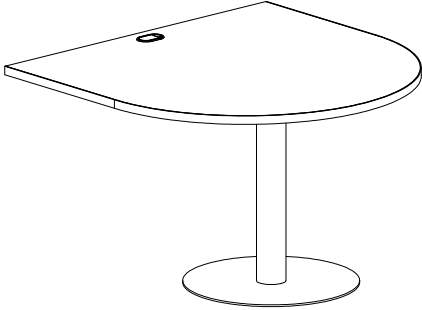
Required Selections					
Component	Code	Description	42" Wide	48" Wide	
1	Width	42	42" Wide Share Desking	\$0	-
		48	48" Wide Share Desking	-	\$0
2	Length	48	48" Long Share Desking	\$2,549	\$2,591
		60	60" Long Share Desking	\$2,591	\$2,634
		72	72" Long Share Desking	\$2,674	\$2,717
		84	84" Long Share Desking	\$2,737	\$2,779
3	Top Type	B	Bullet Top	\$0	\$0
		F	Fish Top	\$166	\$207
4	Height	25	25" High Unit	\$0	\$0
		27	27" High Unit	\$0	\$0
		29	29" High Unit	\$0	\$0
5	Unit Type	I	Island	\$666	\$666
		S	Starter	\$666	\$666
		E	End	\$0	\$0
6	Frame Style	OF	Open Frame	\$0	\$0
		-Starter units & End units must be open frame			
		AF	Frosted Acrylic Panel	\$396	\$416
		WF	Wood Panel	\$396	\$416
		CF	Powder Coat MDF Panel	\$396	\$416
7	Edge Detail	WE	1/2" Wood "A" Edge	\$95	\$95
		MM	3mm PVC Edge	\$0	\$0
		PC	Powder Coat	\$0	\$0

Available Upgrades							
Component	Code	Description	48" Long	60" Long	72" Long	84" Long	
8	Rack	-RK	Divider Post	\$208	\$208	\$208	\$208
		-Not available on Island units					
9	Power	-MX	M2X Cutout	\$45	\$45	\$45	\$45
		-DS4	4-Window Dropshare Cutout	\$45	\$45	\$45	\$45
		-DS6	6-Window Dropshare Cutout	-	\$45	\$45	\$45
-Power unit must be ordered separately.							
10	Wire Leg	-WL1	Wire Leg Location 1	\$437	\$437	\$437	\$437
		-Available on island units only					
		-WL2	Wire Leg Location 2	\$437	\$437	\$437	\$437
-Available on island units only							
-WLA	Wire Leg Location - Intermediate Frame	\$437	\$437	\$437	\$437		
-Available on starter units only							

Translate Desking

Share | Popular Items

The following products are **popular and frequently ordered items**. The catalog number, description, actual footprint, and list prices are all provided. The items can be used exactly as-is, as a starting point for budgetary purposes, or simply as examples. Contact project management for any further information.



TR-DK-4848B-29-E-OF-MM

List Price - \$2,591

Nominal Size - 48"W x 48"L x 29"H

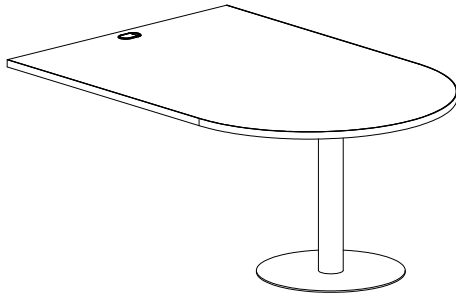
Unit Type - End

Actual Footprint - 47-3/4"W x 47-3/4"L x 29"H

Top Type - Bullet

Frame Style - Open

Edge Detail - PVC



TR-DK-4872B-29-E-OF-MM

List Price - \$2,717

Nominal Size - 48"W x 72"L x 29"H

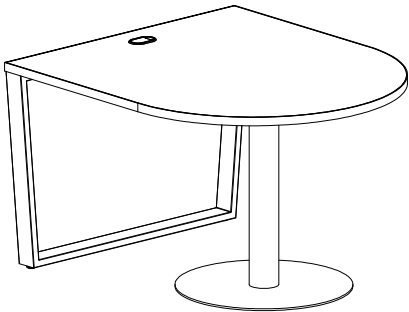
Unit Type - End

Actual Footprint - 47-3/4"W x 71-3/4"L x 29"H

Top Type - Bullet

Frame Style - Open

Edge Detail - PVC



TR-DK-4248B-29-I-OF-MM

List Price - \$3,215

Nominal Size - 42"W x 48"L x 29"H

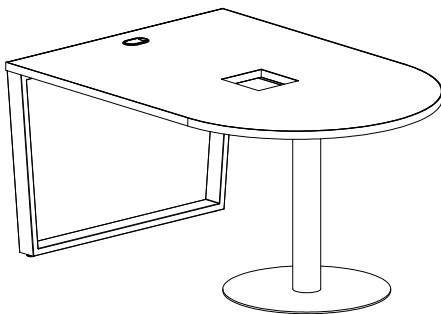
Unit Type - Island

Actual Footprint - 41-3/4"W x 47-3/4"L x 29"H

Top Type - Bullet

Frame Style - Open

Edge Detail - PVC



TR-DK-4260B-29-I-OF-MM-MX

List Price - \$3,302

Nominal Size - 48"W x 60"L x 29"H

Unit Type - Island

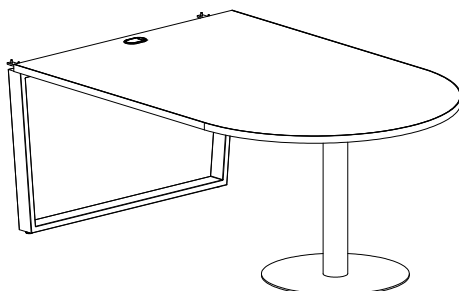
Actual Footprint - 41-3/4"W x 59-3/4"L x 29"H

Power - M2X cutout

Top Shape - Bullet

Frame Style - Open

Edge Detail - PVC



TR-DK-4872B-29-S-OF-MM

List Price - \$3,383

Nominal Size - 48"W x 72"L x 29"H

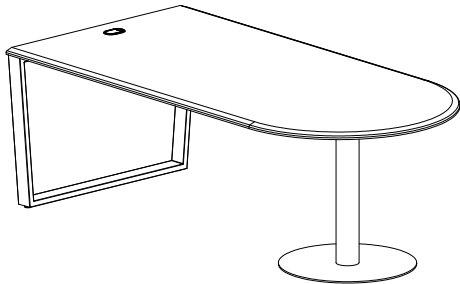
Unit Type - Starter

Actual Footprint - 47-3/4"W x 71-3/4"L x 29"H

Top Type - Bullet

Frame Style - Open

Edge Detail - PVC

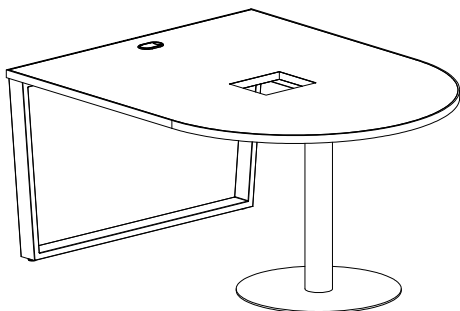


TR-DK-4284B-29-I-OF-PC

Nominal Size - 42"W x 84"L x 29"H
Actual Footprint - 42"W x 84"L x 29"H
Top Shape - Bullet
Frame Style - Open
Edge Detail - MDF, powder coat

List Price - \$3,403

Unit Type - Island



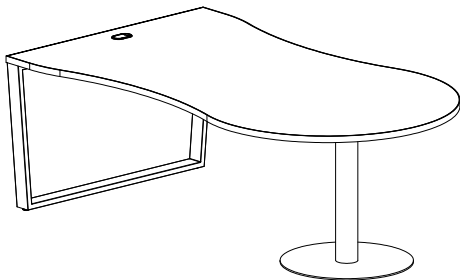
TR-DK-4860B-29-I-OF-WE-DS4

Nominal Size - 48"W x 60"L x 29"H
Actual Footprint - 48"W x 60"L x 29"H
Top Type - Bullet
Frame Style - Open
Edge Detail - Wood

List Price - \$3,440

Unit Type - Island

Power - 4-window dropshare cutout

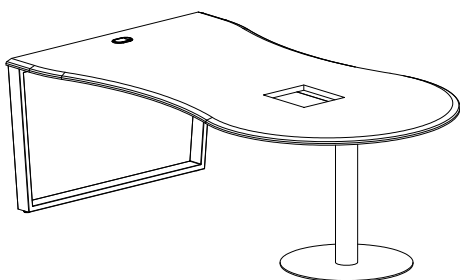


TR-DK-4884F-29-I-OF-MM

Nominal Size - 48"W x 84"L x 29"H
Actual Footprint - 47-3/4"W x 83-3/4"L x 29"H
Top shape - Fish
Frame Style - Open
Edge Detail - PVC

List Price - \$3,652

Unit Type - Island



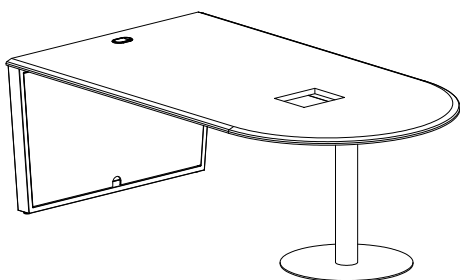
TR-DK-4884F-29-I-OF-PC-DS6

Nominal Size - 48"W x 84"L x 29"H
Actual Footprint - 48"W x 84"L x 29"H
Top Shape - Fish
Frame Style - Open
Edge Detail - MDF, powder coat

List Price - \$3,697

Unit Type - Island

Power - 6-window dropshare cutout



TR-DK-4884B-29-I-CF-PC-DS4

Nominal Size - 48"W x 84"L x 29"H
Actual Footprint - 48"W x 84"L x 29"H
Top Shape - Bullet
Frame Style - MDF panel, powder coat
Edge Detail - MDF, powder coat

List Price - \$3,906

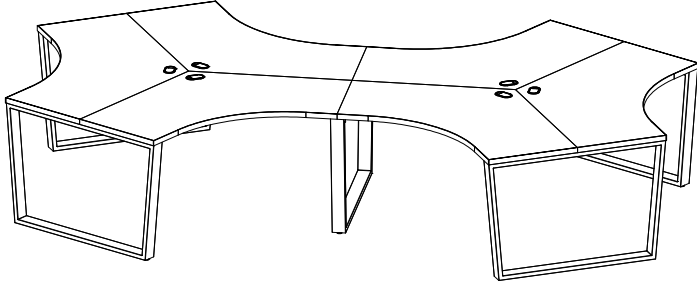
Unit Type - Island

Power - 4-window dropshare cutout

Translate Desking

Popular Combinations

The following product combinations are **popular and frequently ordered runs of desking**. The catalog numbers, seated positions, and list prices are all provided. The combinations can be used exactly as-is, as a starting point for budgetary purposes, or simply as examples. Contact project management for any further information.

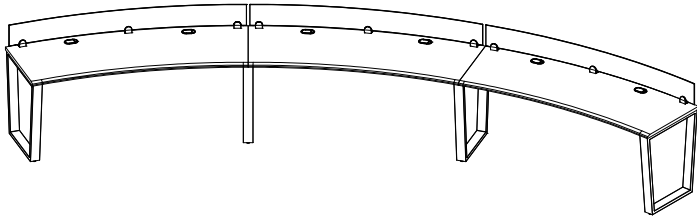


TR-DK-PC06-01

List Price - \$12,762

Per Seat - \$2,127

- (1) TR-DK-4266P-29-S1-OF-MM
- (1) TR-DK-4266P-29-E-OF-MM
- 6-Person combination

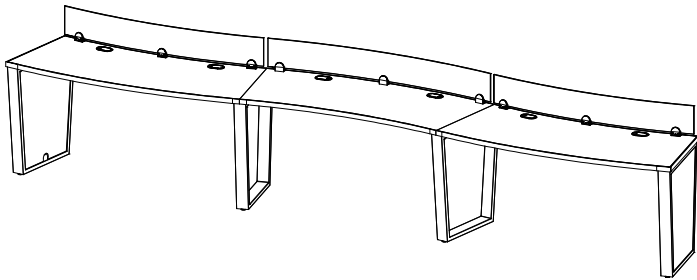


TR-DK-PC06-02

List Price - \$7,911

Per Seat - \$1,318

- (1) TR-DK-2472A-29-S-OF-PC-IC-AR
- (1) TR-DK-2472A-29-A-OF-PC-IC-AR
- (1) TR-DK-2472A-29-E-OF-PC-IC-AR
- 6-Person combination

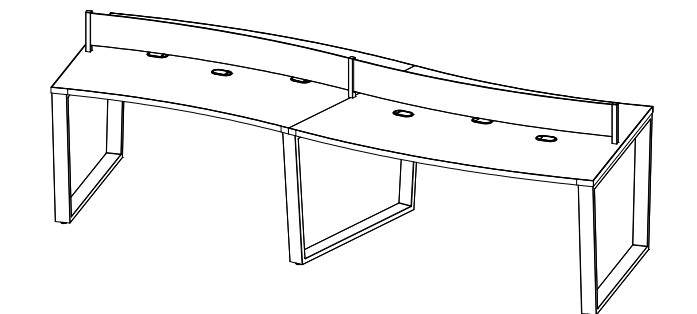


TR-DK-PC06-03

List Price - \$8,646

Per Seat - \$1,441

- (1) TR-DK-2460A-29-S-AF-WE-OC-AR
- (1) TR-DK-2460A-29-AR-OF-WE-IC-AR
- (1) TR-DK-2460A-29-E-AF-WE-OC-AR
- 6-Person combination

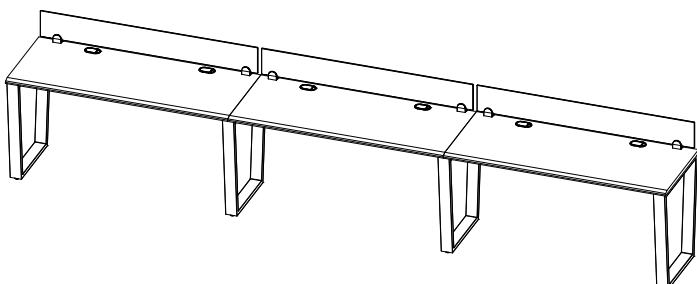


TR-DK-PC06-04

List Price - \$6,419

Per Seat - \$1,069

- (1) TR-DK-4260A-29-S-OF-MM-AR
- (1) TR-DK-4260A-29-ER-OF-MM-AR
- 6-Person combination

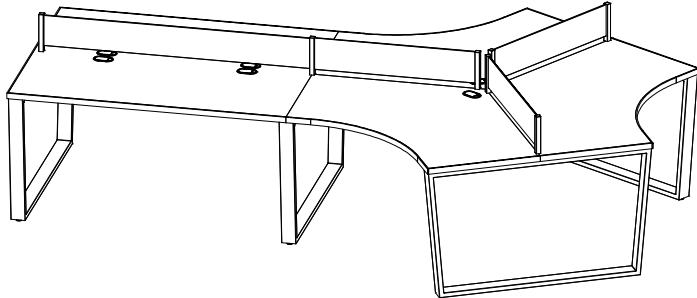


TR-DK-PC06-05

List Price - \$7,026

Per Seat - \$1,171

- (1) TR-DK-2460S-29-S-OF-PC-AR
- (1) TR-DK-2460S-29-A-OF-PC-AR
- (1) TR-DK-2460S-29-E-OF-PC-AR
- 6-Person combination

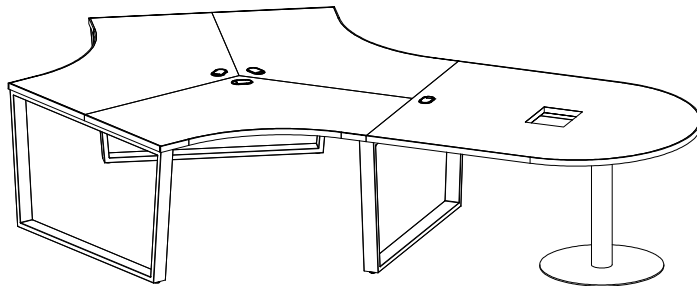


TR-DK-PC07-01

List Price - \$11,395

Per Seat - \$1,628

- (1) TR-DK-4860S-29-S-OF-WE-AR
- (1) TR-DK-4866P-29-E-OF-WE-AR
- 7-Person combination

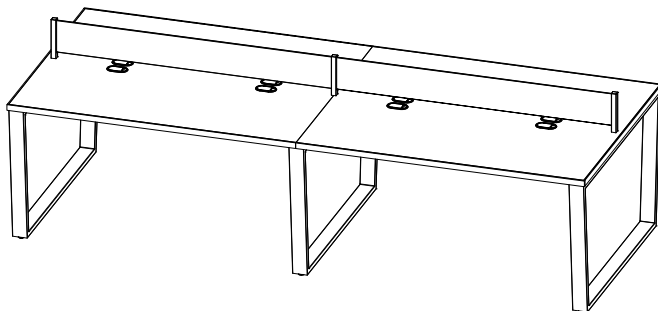


TR-DK-PC07-02

List Price - \$9,656

Per Seat - \$1,379

- (1) TR-DK-4866P-29-S1-OF-WE
- (1) TR-DK-4860B-29-E-OF-WE-DS4
- 7-Person combination

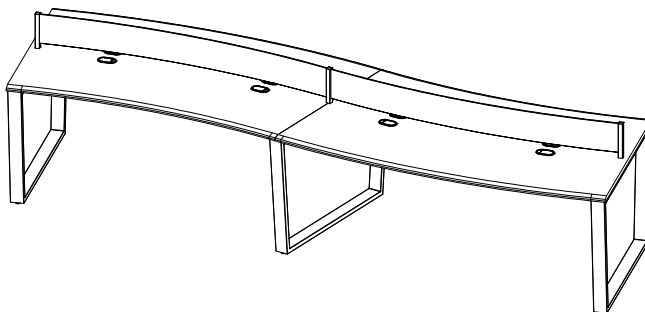


TR-DK-PC08-01

List Price - 6,009

Per Seat - \$751

- (1) TR-DK-4860S-29-S-OF-WE-AR
- (1) TR-DK-4860S-29-E-OF-WE-AR
- 8-Person combination

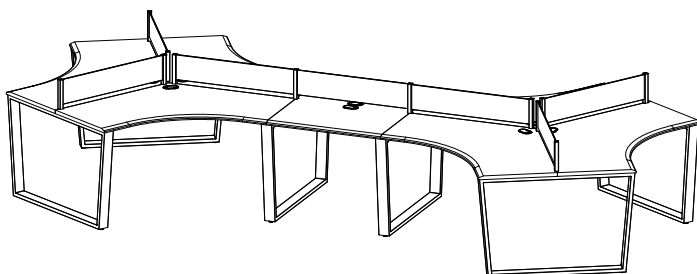


TR-DK-PC08-02

List Price - \$6,793

Per Seat - \$849

- (1) TR-DK-4272A-29-S-OF-PC-AR
- (1) TR-DK-4272A-29-ER-OF-PC-AR
- 8-Person combination



TR-DK-PC08-03

List Price - \$18,124

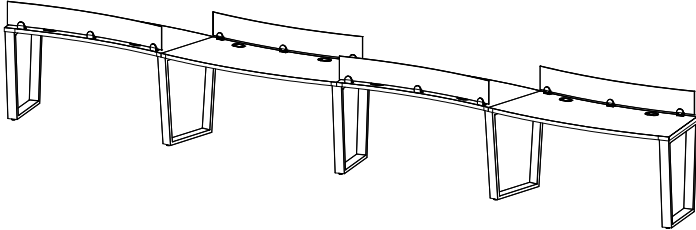
Per Seat - \$2,266

- (1) TR-DK-4266P-29-S1-OF-PC-AR
- (1) TR-DK-4236S-29-A-OF-PC-AR
- (1) TR-DK-4266P-29-E-OF-PC-AR
- 8-Person combination

Translate Desking

Popular Combinations

The following product combinations are **popular and frequently ordered runs of desking**. The catalog numbers, seated positions, and list prices are all provided. The combinations can be used exactly as-is, as a starting point for budgetary purposes, or simply as examples. Contact project management for any further information.

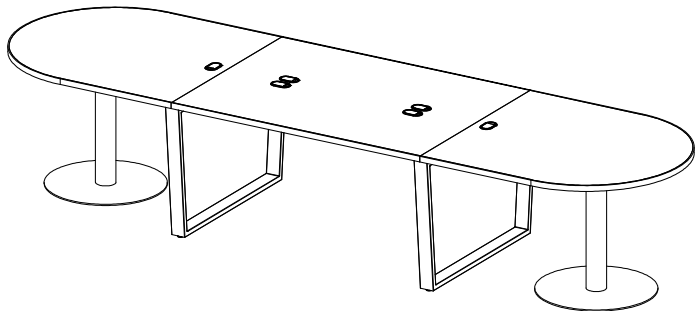


TR-DK-PC08-04

List Price - \$10,040

Per Seat - \$1,255

- (1) TR-DK-2460A-29-S-OF-MM-OC-AR
 - (1) TR-DK-2460A-29-AR-OF-MM-OC-AR
 - (1) TR-DK-2460A-29-A-OF-MM-OC-AR
 - (1) TR-DK-2460A-29-ER-OF-MM-OC-AR
- 8-Person combination

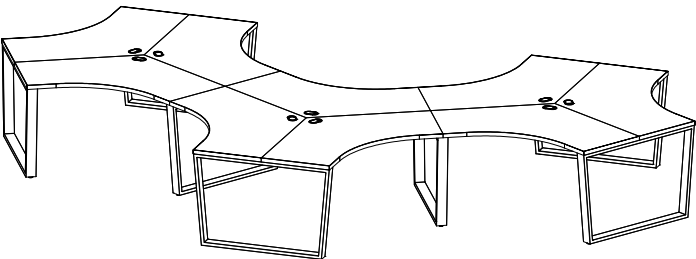


TR-DK-PC08-05

List Price - \$8,064

Per Seat - \$1,008

- (1) TR-DK-4248B-29-S-OF-WE
 - (1) TR-DK-4260S-29-A-OF-WE
 - (1) TR-DK-4248B-29-E-OF-WE
- 8-Person combination

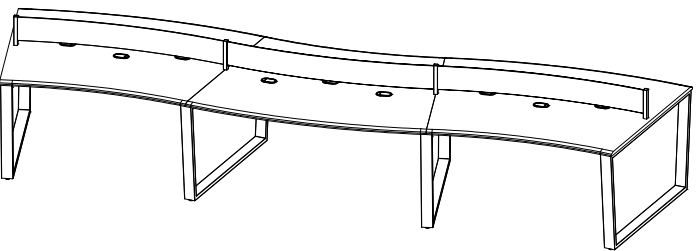


TR-DK-PC09-01

List Price - \$18,810

Per Seat - \$2,090

- (1) TR-DK-4266P-29-S2-OF-MM
 - (2) TR-DK-4266P-29-E-OF-MM
- 9-Person combination

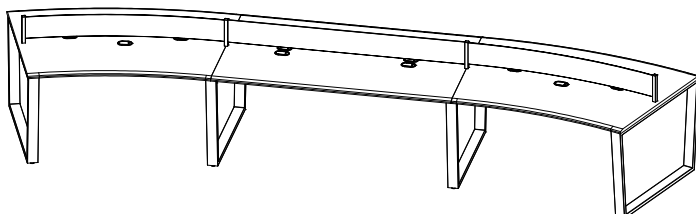


TR-DK-PC09-02

List Price - \$9,385

Per Seat - \$1,043

- (1) TR-DK-4860A-29-S-OF-PC-AR
 - (1) TR-DK-4860A-29-AR-OF-PC-AR
 - (1) TR-DK-4860A-29-E-OF-PC-AR
- 9-Person combination

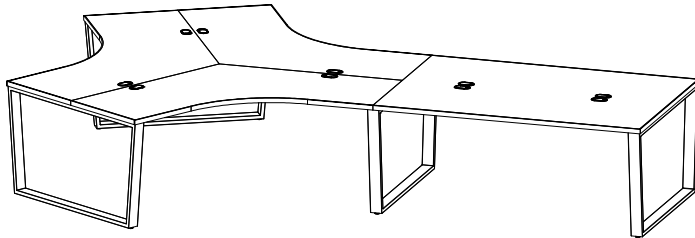


TR-DK-PC10-01

List Price - \$8,870

Per Seat - \$887

- (1) TR-DK-4260A-29-S-OF-PC-AR
 - (1) TR-DK-4272S-29-A-OF-PC-AR
 - (1) TR-DK-4260A-29-E-OF-PC-AR
- 10-Person combination

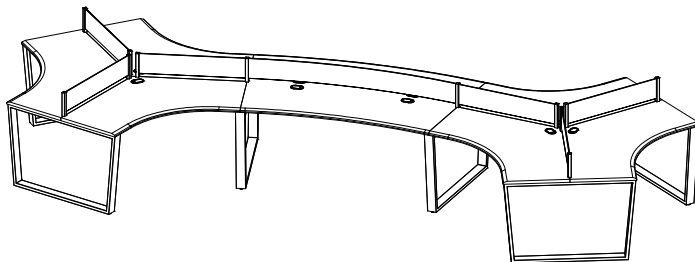


TR-DK-PC10-02

List Price - \$9,690

Per Seat - \$969

- (1) TR-DK-4884P-29-S1-OF-WE
- (1) TR-DK-4872S-29-E-OF-WE
- 10-Person combination

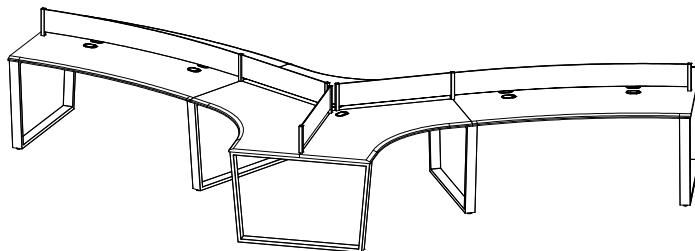


TR-DK-PC10-03

List Price - \$18,943

Per Seat - \$1,894

- (1) TR-DK-4266P-29-S1-OF-PC-AR
- (1) TR-DK-4272A-29-A-OF-PC-AR
- (1) TR-DK-4266P-29-E-OF-PC-AR
- 10-Person combination

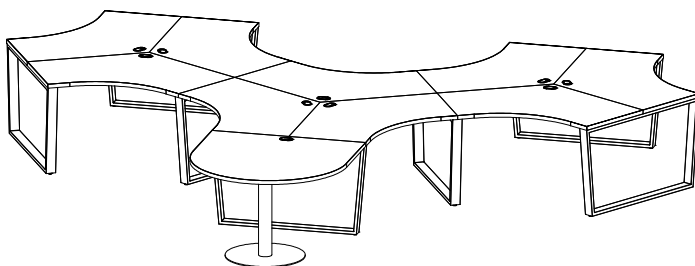


TR-DK-PC11-01

List Price - \$14,358

Per Seat - \$1,305

- (1) TR-DK-4266P-29-S2-OF-PC-AR
- (1) TR-DK-4272A-29-E-OF-PC-AR
- (1) TR-DK-4272A-29-ER-OF-PC-AR
- 11-Person combination

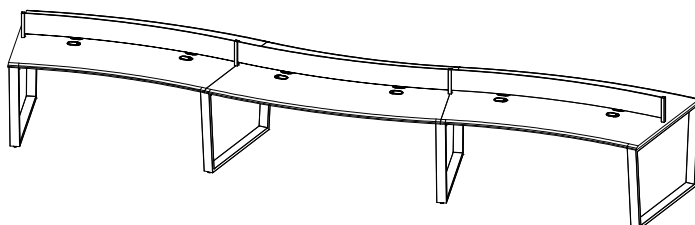


TR-DK-PC11-02

List Price - \$21,533

Per Seat - \$1,957

- (1) TR-DK-4866P-29-S3-OF-MM
- (2) TR-DK-4866P-29-E-OF-MM
- (1) TR-DK-4848B-29-E-OF-MM
- 11-Person combination



TR-DK-PC12-01

List Price - \$9,772

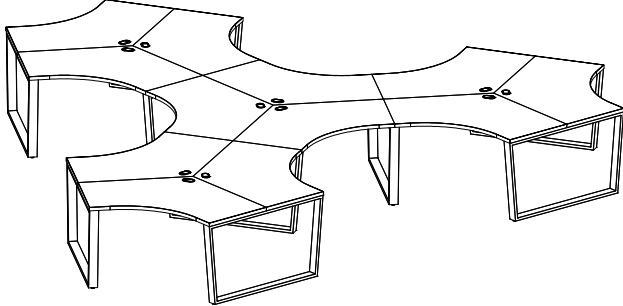
Per Seat - \$814

- (1) TR-DK-4272A-29-S-OF-PC-AR
- (1) TR-DK-4272A-29-AR-OF-PC-AR
- (1) TR-DK-4272A-29-E-OF-PC-AR
- 12-Person combination

Translate Desking

Popular Combinations

The following product combinations are **popular and frequently ordered runs of desking**. The catalog numbers, seated positions, and list prices are all provided. The combinations can be used exactly as-is, as a starting point for budgetary purposes, or simply as examples. Contact project management for any further information.

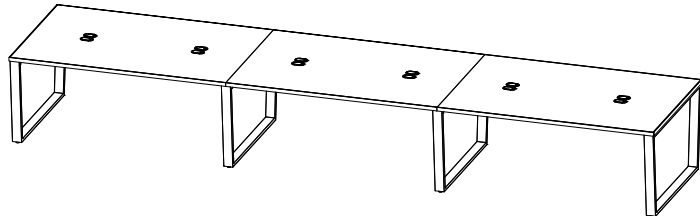


TR-DK-PC12-02

List Price - \$25,358

Per Seat - \$2,113

- (1) TR-DK-4866P-29-S3-OF-MM
- (3) TR-DK-4866P-29-E-OF-MM
- 12-Person combination

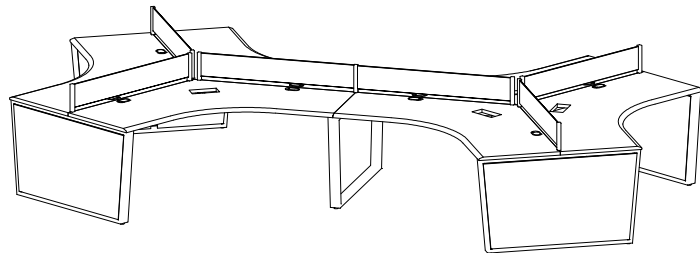


TR-DK-PC12-03

List Price - \$7,435

Per Seat - \$619

- (1) TR-DK-4872S-29-S-OF-WE
- (1) TR-DK-4872S-29-A-OF-WE
- (1) TR-DK-4872S-29-E-OF-WE
- 12-Person combination

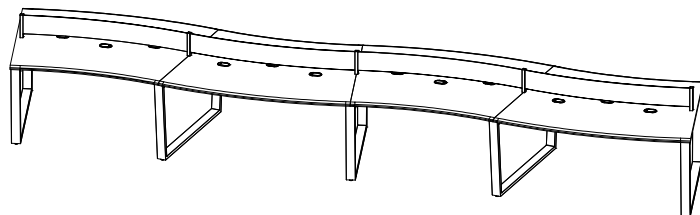


TR-DK-PC12-04

List Price - \$19,033

Per Seat - \$1,586

- (1) TR-DK-4884P-29-S1-AF-PC-AR-MH
- (1) TR-DK-4884P-29-E-AF-PC-AR-MH
- 12-Person combination

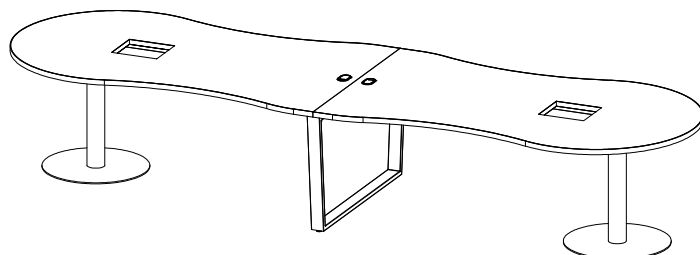


TR-DK-PC12-05

List Price - \$12,236

Per Seat - \$1,019

- (1) TR-DK-4860A-29-S-OF-PC-AR
- (1) TR-DK-4860A-29-AR-OF-PC-AR
- (1) TR-DK-4860A-29-A-OF-PC-AR
- (1) TR-DK-4860A-29-ER-OF-PC-AR
- 12-Person combination



TR-DK-PC12-06

List Price - \$6,733

Per Seat - \$561

- (1) TR-DK-4884F-29-S-OF-MM-DS6
- (1) TR-DK-4884F-29-E-OF-MM-DS6
- 12-Person combination

Accessories

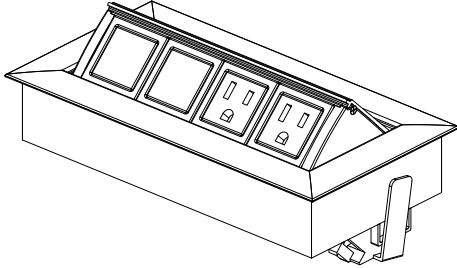
Customize each table to fit your needs



Translate Accessories

Built-In Power & Data

The following products are **popular and frequently ordered built-in power & data accessories**, and the unit it goes with must have a power cutout in it. The catalog number, description, specifications, color options, and list prices are all provided. Contact project management for any further information.



LA-MHO4-202-C120

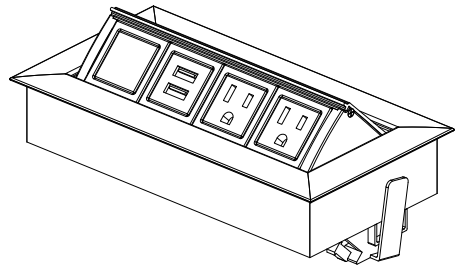
Mho (Single Face Flip-Up / Flat Mount)

Power/Data Configuration - 2 Power; 2 Open Data

Power Supply - 120" Cord

Finish Options - Silver Aluminum (-SA); Black Aluminum (-BA)

List Price - \$431



LA-MHO4-211-C120

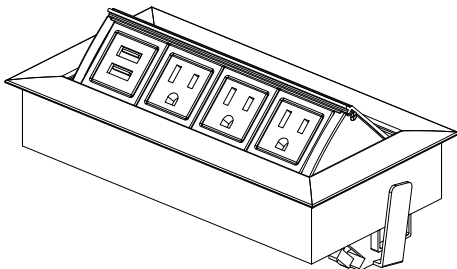
Mho (Single Face Flip-Up / Flat Mount)

Power/Data Configuration - 2 Power; 1 USB; 1 Open Data

Power Supply - 120" Cord

Finish Options - Silver Aluminum (-SA); Black Aluminum (-BA)

List Price - \$509



LA-MHO4-310-C120

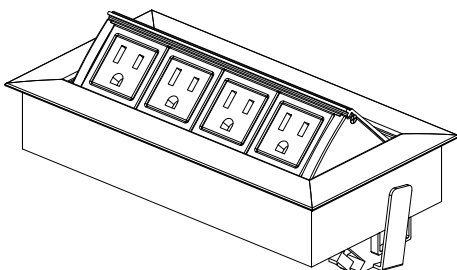
Mho (Single Face Flip-Up / Flat Mount)

Power/Data Configuration - 3 Power; 1 USB

Power Supply - 120" Cord

Finish Options - Silver Aluminum (-SA); Black Aluminum (-BA)

List Price - \$520



LA-MHO4-400-C120

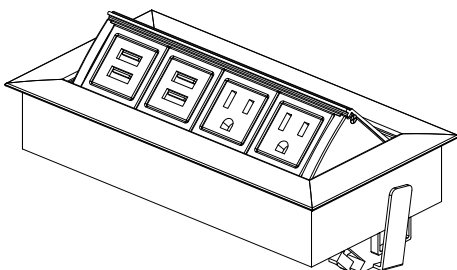
Mho (Single Face Flip-Up / Flat Mount)

Power/Data Configuration - 4 Power

Power Supply - 120" Cord

Finish Options - Silver Aluminum (-SA); Black Aluminum (-BA)

List Price - \$548



LA-MHO4-220-C120

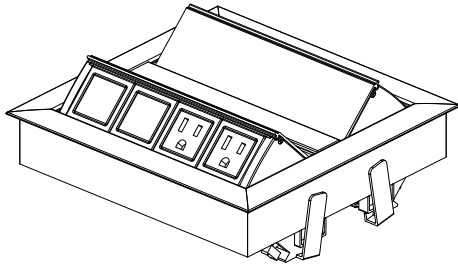
Mho (Single Face Flip-Up / Flat Mount)

Power/Data Configuration - 2 Power; 2 USB

Power Supply - 120" Cord

Finish Options - Silver Aluminum (-SA); Black Aluminum (-BA)

List Price - \$588



LA-M2X4-202-C120

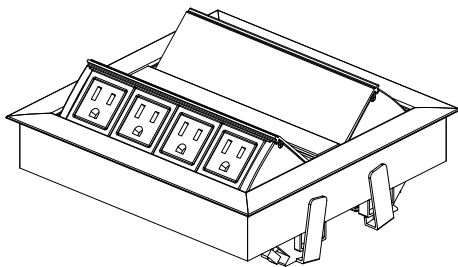
List Price - \$919

M2X (Double Face Flip-Up / Flat Mount)

Power/Data Configuration - 2 Power; 2 Open Data

Power Supply - 120" Cord

Finish Options - Silver Aluminum (-SA); Black Aluminum (-BA)



LA-M2X4-400-C120

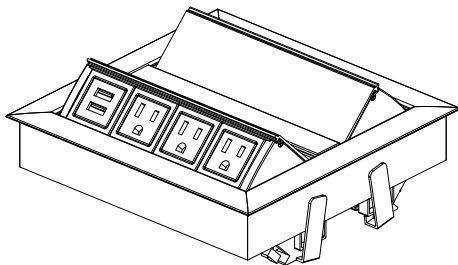
List Price - \$1,047

M2X (Double Face Flip-Up / Flat Mount)

Power/Data Configuration - 4 Power

Power Supply - 120" Cord

Finish Options - Silver Aluminum (-SA); Black Aluminum (-BA)



LA-M2X4-310-C120

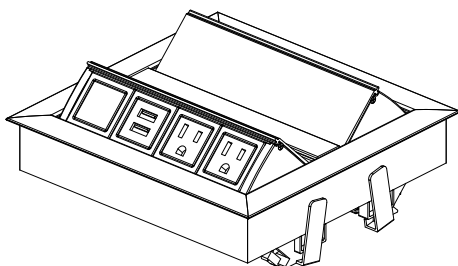
List Price - \$1,073

M2X (Double Face Flip-Up / Flat Mount)

Power/Data Configuration - 3 Power; 1 USB

Power Supply - 120" Cord

Finish Options - Silver Aluminum (-SA); Black Aluminum (-BA)



LA-M2X4-211-C120

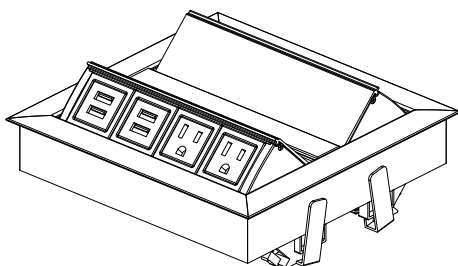
List Price - \$1,077

M2X (Double Face Flip-Up / Flat Mount)

Power/Data Configuration - 2 Power; 1 USB; 1 Open Data

Power Supply - 120" Cord

Finish Options - Silver Aluminum (-SA); Black Aluminum (-BA)



LA-M2X4-220-C120

List Price - \$1,212

M2X (Double Face Flip-Up / Flat Mount)

Power/Data Configuration - 2 Power; 2 USB

Power Supply - 120" Cord

Finish Options - Silver Aluminum (-SA); Black Aluminum (-BA)

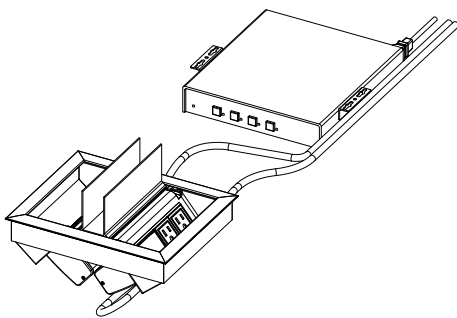
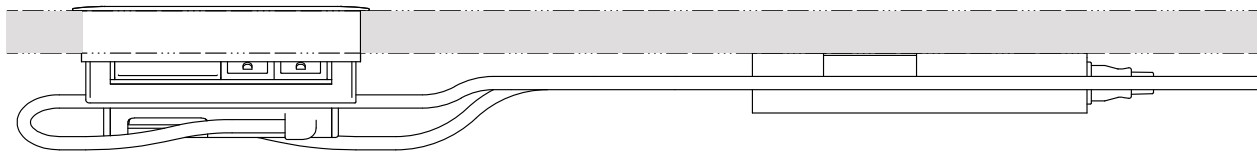
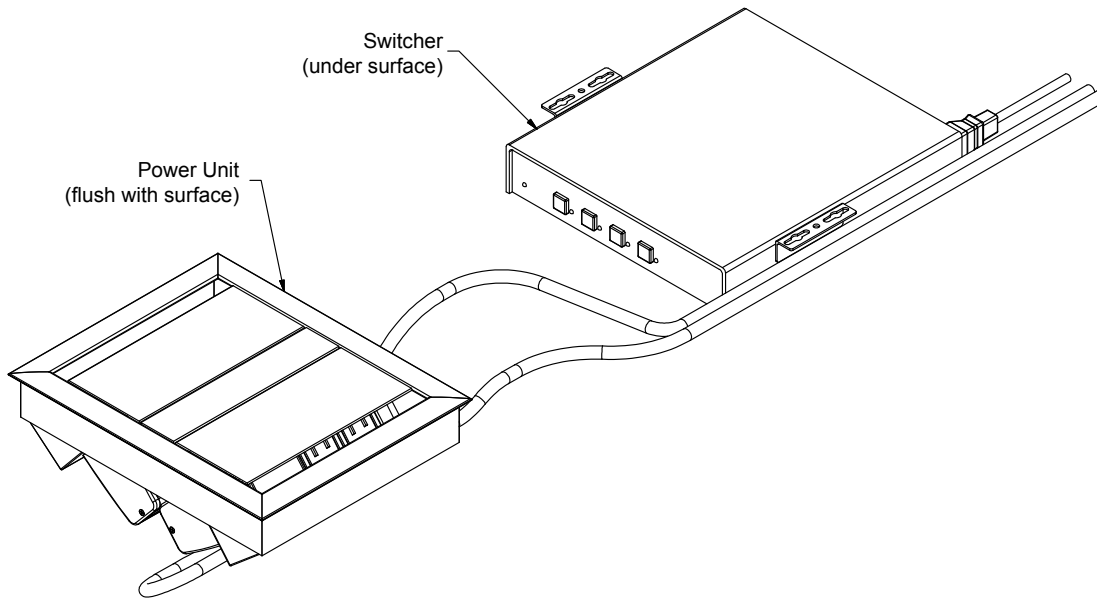
Suggested Item

Dropshare *built-in media sharing for the modern world*

The unit dropshare accessories go with must have a power cutout in it.

The catalog number, description, specifications, color options, and list prices are all provided.

Contact project management for any further information.



LA-DSX4-4-200-C120

DropShare Media Sharing

User Configuration - 4-User

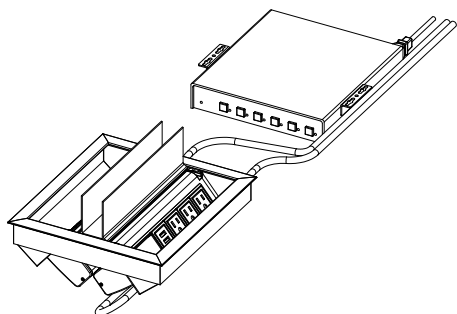
Video Input/Output - HDMI

Power/Data Configuration - 2 Power (each side)

Power Supply - 120" Cord

Finish Options - Clear Anodized (-**SB**); Black Anodized (-**BB**)

List Price - \$4,833



LA-DSX6-6-310-C120

DropShare Media Sharing

User Configuration - 6-User

Video Input/Output - HDMI

Power/Data Configuration - 3 Power; 1 USB (each side)

Power Supply - 120" Cord

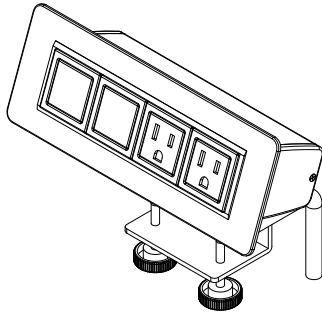
Finish Options - Clear Anodized (-**SB**); Black Anodized (-**BB**)

List Price - \$7,672

Translate Accessories

Add-On Power & Data

The following products are **popular and frequently ordered add-on power & data accessories**. The catalog number, description, specifications, color options, and list prices are all provided. Contact project management for any further information.



LA-AXX4-202-C120

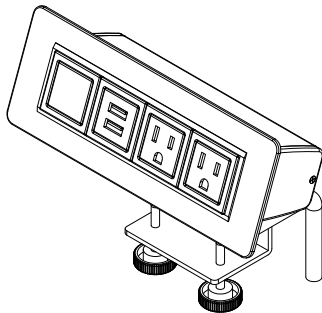
Axil X (Edge Mount)

Power/Data Configuration - 2 Power; 2 Open Data

Power Supply - 120" Cord

Finish Options - Gloss White (-W); Gloss Black (-B); Gloss Silver (-S)

List Price - \$308



LA-AXX4-211-C120

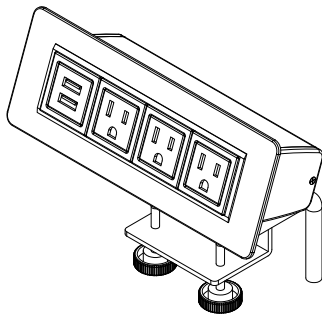
Axil X (Edge Mount)

Power/Data Configuration - 2 Power; 1 USB; 1 Open Data

Power Supply - 120" Cord

Finish Options - Gloss White (-W); Gloss Black (-B); Gloss Silver (-S)

List Price - \$387



LA-AXX4-310-C120

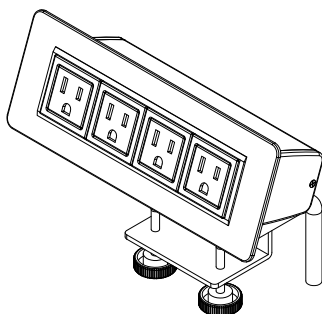
Axil X (Edge Mount)

Power/Data Configuration - 3 Power; 1 USB

Power Supply - 120" Cord

Finish Options - Gloss White (-W); Gloss Black (-B); Gloss Silver (-S)

List Price - \$403



LA-AXX4-400-C120

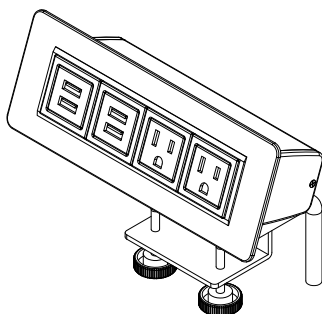
Axil X (Edge Mount)

Power/Data Configuration - 4 Power

Power Supply - 120" Cord

Finish Options - Gloss White (-W); Gloss Black (-B); Gloss Silver (-S)

List Price - \$414



LA-AXX4-220-C120

Axil X (Edge Mount)

Power/Data Configuration - 2 Power; 2 USB

Power Supply - 120" Cord

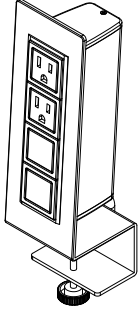
Finish Options - Gloss White (-W); Gloss Black (-B); Gloss Silver (-S)

List Price - \$465

Translate Accessories

Add-On Power & Data

The following products are **popular and frequently ordered add-on power & data accessories**. The catalog number, description, specifications, color options, and list prices are all provided. Contact project management for any further information.



LA-AXY4-202-C120

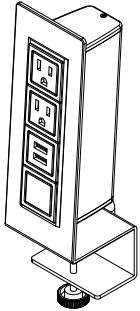
List Price - \$308

Axil Y (Edge Mount)

Power/Data Configuration - 2 Power; 2 Open Data

Power Supply - 120" Cord

Finish Options - Gloss White (-W); Gloss Black (-B); Gloss Silver (-S)



LA-AXY4-211-C120

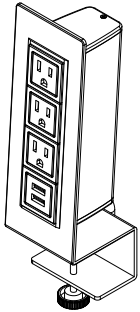
List Price - \$387

Axil Y (Edge Mount)

Power/Data Configuration - 2 Power; 1 USB; 1 Open Data

Power Supply - 120" Cord

Finish Options - Gloss White (-W); Gloss Black (-B); Gloss Silver (-S)



LA-AXY4-310-C120

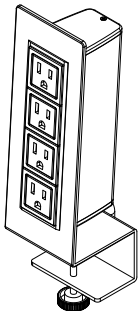
List Price - \$403

Axil Y (Edge Mount)

Power/Data Configuration - 3 Power; 1 USB

Power Supply - 120" Cord

Finish Options - Gloss White (-W); Gloss Black (-B); Gloss Silver (-S)



LA-AXY4-400-C120

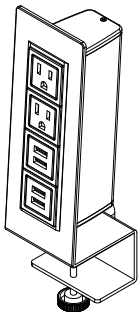
List Price - \$414

Axil Y (Edge Mount)

Power/Data Configuration - 4 Power

Power Supply - 120" Cord

Finish Options - Gloss White (-W); Gloss Black (-B); Gloss Silver (-S)



LA-AXY4-220-C120

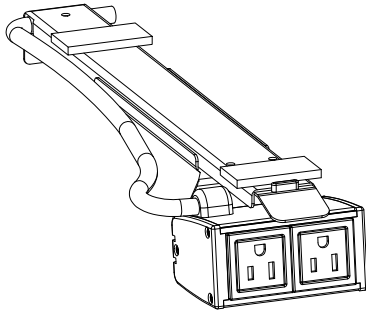
List Price - \$465

Axil Y (Edge Mount)

Power/Data Configuration - 2 Power; 2 USB

Power Supply - 120" Cord

Finish Options - Gloss White (-W); Gloss Black (-B); Gloss Silver (-S)



LA-ASR2-200-C120

Assemble Reveal (Under Surface)

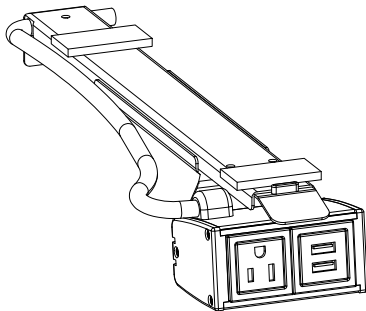
Power/Data Configuration - 2 Power

Power Supply - 120" Cord

Finish - Silver Aluminum

Trim Color Options - White (-WT); Black (-BT); Silver (-ST)

List Price - \$335



LA-ASR2-110-C120

Assemble Reveal (Under Surface)

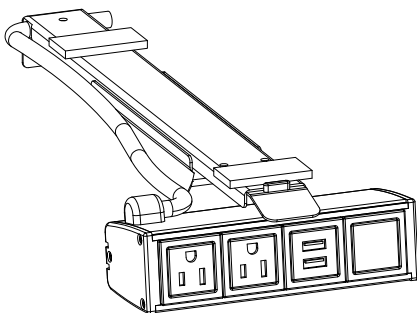
Power/Data Configuration - 1 Power; 1 USB

Power Supply - 120" Cord

Finish - Silver Aluminum

Trim Color Options - White (-WT); Black (-BT); Silver (-ST)

List Price - \$400



LA-ASR4-211-C120

Assemble Reveal (Under Surface)

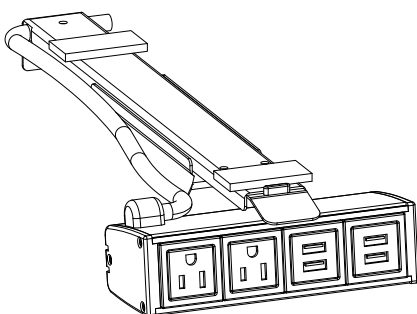
Power/Data Configuration - 2 Power; 1 USB; 1 Open Data

Power Supply - 120" Cord

Finish - Silver Aluminum

Trim Color Options - White (-WT); Black (-BT); Silver (-ST)

List Price - \$424



LA-ASR4-220-C120

Assemble Reveal (Under Surface)

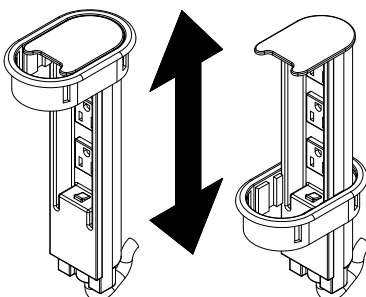
Power/Data Configuration - 2 Power; 2 USB

Power Supply - 120" Cord

Finish - Silver Aluminum

Trim Color Options - White (-WT); Black (-BT); Silver (-ST)

List Price - \$502



LA-RPC3-300-C120

Retractable Power Column (Grommet)

Power/Data Configuration - 3 Power

Power Supply - 120" Cord

Finish - Molded Black (-B); Matte Black (-MB); Charcoal Mica (-CM); Nickel Mica (-NM);

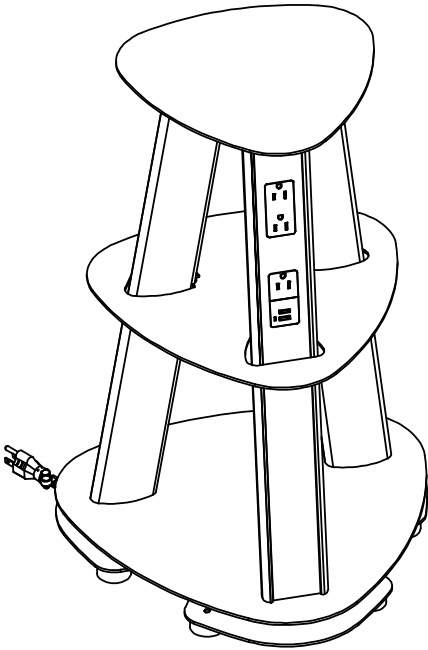
Silver Mica (-SM); Gray (-G)

List Price - \$106

Translate Accessories

Add-On Power & Data

The following products are **popular and frequently ordered add-on power & data accessories**. The catalog number, description, specifications, color options, and list prices are all provided. Contact project management for any further information.



Suggested Item

ISLE *a free standing charging hub*

LA-ISLE-930-C108

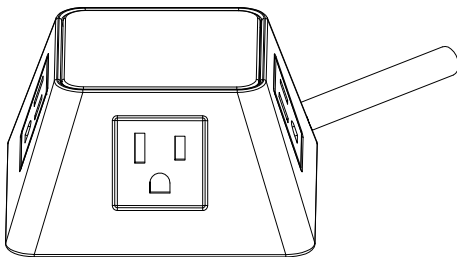
List Price - \$1,679

Power/Data Configuration - 9 Power; 3 USB

Power Supply - 108" Cord

Finish Options - Gloss White (-**GW**) Gloss Black (-**GB**) Silver Pearl (-**S**)

Size - 18"W x 18"L x 25-1/2"H



LA-MOT4-400-C120

List Price - \$257

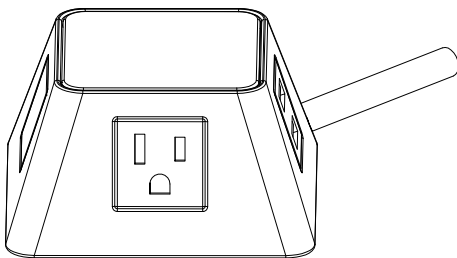
Moire (Free Standing - Table Top)

Power/Data Configuration - 4 Power

Power Supply - 120" Cord

Finish Options - Gloss White (-**W**); Gloss Black (-**B**)

Size - 3-7/8"W x 3-7/8"L x 2"H



LA-MOT4-21B-C120

List Price - \$284

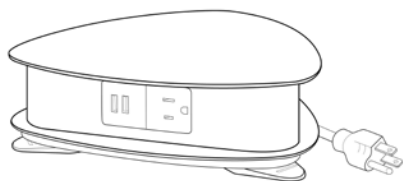
Moire (Free Standing - Table Top)

Power/Data Configuration - 2 Power; 1 USB; 1 Blank

Power Supply - 120" Cord

Finish Options - Gloss White (-**W**); Gloss Black (-**B**)

Size - 3-7/8"W x 3-7/8"L x 2"H



LA-DR16-330-C108

List Price - \$707

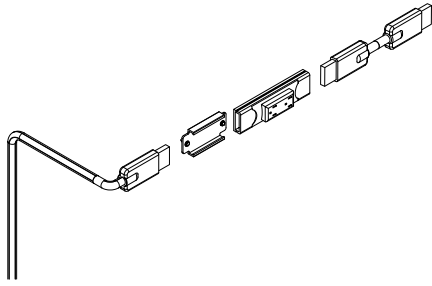
Drifter (Free Standing - Table Top)

Power/Data Configuration - 3 Power; 3 USB

Power Supply - 108" Cord

Finish Options - Gloss White (-**GW**); Gloss Black (-**GB**); Silver Pearl (-**S**)

Size - 10"W x 10"L x 2-7/8"H



4TRAC

Contact Project Management for Configuration & Pricing

4-Trac Power Supply System

Power System - 4 wires; 2 circuits; 20 Amps each

Power Supply - Cord and hardwire power options available

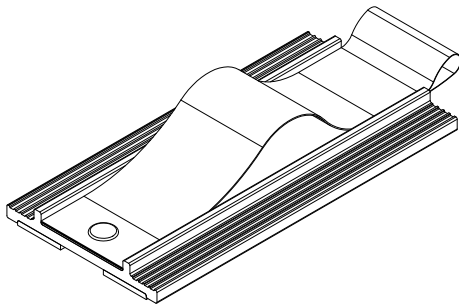
Power Output - Allows up to 26 duplex receptacles (13 per circuit)

Translate Accessories



Add-On Wire Management

The following products are **popular and frequently ordered add-on wire management accessories**. The catalog number, description, specifications, color options, and list prices are all provided. Contact project management for any further information.



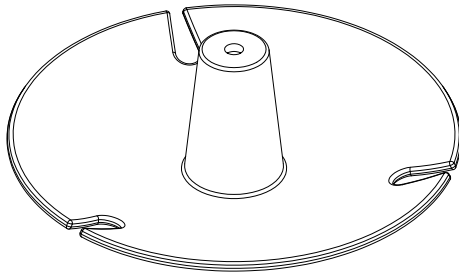
LA-WM7

VELCRO Wire Management Guide

Size - 1-3/4" x 3-1/2"

Color - Black

List Price - \$13



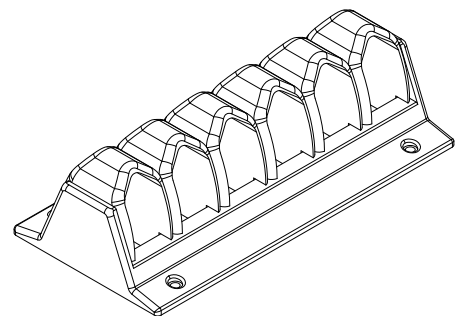
LA-WM24-90M

Under Counter Sombrero Cable Wrap

Size - 1-17/32"T x 4"Dia

Color - Black

List Price - \$20



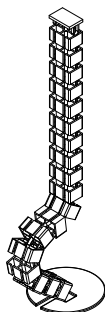
LA-WM23B-90

Cable Management Flexible Loop Guide

Size - 1-5/8"T x 2-19/32"W x 3-5/8"L

Color - Black

List Price - \$45



LA-WM16

Snake Wire Manager

Size - 31-1/8"L

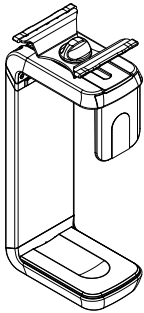
Color - Metallic Silver (-23); Black (-90)

List Price - \$160

Translate Accessories

Monitor Arms & CPU Holders

The following products are **popular and frequently ordered monitor arm & CPU holder accessories**. The catalog number, description, specifications, color options, and list prices are all provided. Contact project management for any further information.



LA-CPU600

List Price - \$196

Vertical Hanging CPU Holder (Fixed Mount)

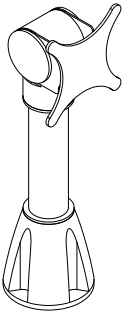
Size Adjustments - Fits CPUs 3.6" - 9" wide by 12" - 120" high

Track Length - 16"

Maximum CPU weight - 30 pounds

Rotation - 360°

Colors - White/Brushed Aluminum (-W); Black/Brushed Aluminum (-B)



LA-9189

List Price - \$354

POS Through-Counter Mount

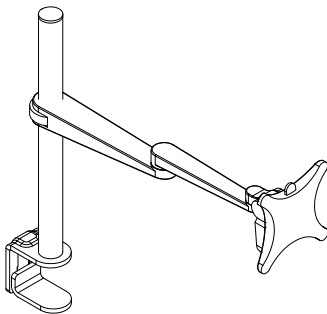
Installation - Tube passes through counter and has internal cable routing

Adjusting - Quickly adjust monitor height from 7" - 12", Pivot, turn, or lock

Supports monitors up to 25 pounds

Color - Dark Grey

Supports monitors, signature capture devices, kiosks and more



LA-5800-S-14-DC

List Price - \$541

EVO Pole Arm

Rotation - 360° at two joints; 180° at base

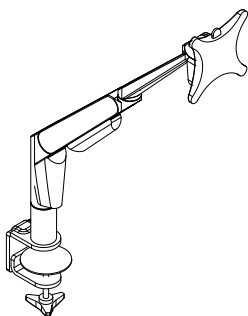
Monitor Tilt - 90° up & 20° down; Landscape/Portrait Pivot

Monitor Compatibility - VESA 75mm and 100mm

Monitor Weight - Up to 20 pounds (9.0 kg)

Mounting Options - Desk Edge; Grommet; Thru-Desk

Colors - Silver Powder Coat (-124); Vista Black Powder Coat (-104)



LA-5700-DC-SPM

List Price - \$639

EVO LCD Arm

Rotation - 360° at two joints; 180° at base

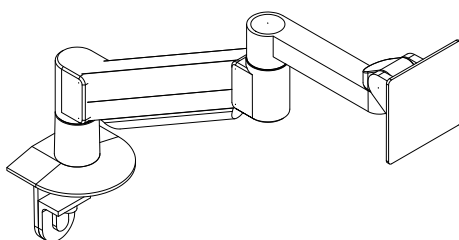
Monitor Tilt - 90° up & 20° down; Landscape/Portrait Pivot

Monitor Compatibility - VESA 75mm and 100mm

Monitor Weight - 7 - 20 pounds (3.2 - 9.0 kg)

Mounting Options - Desk Edge; Grommet; Thru-Desk

Colors - Silver Powder Coat (-124); Vista Black Powder Coat (-104)



LA-7000

List Price - \$780

Flexible Flat Panel Radial Arm

Rotation - 360° at three joints

Monitor Tilt - 180° down from center; Landscape/Portrait Pivot

Monitor Compatibility - VESA 75mm and 100mm

Monitor Weight - 2 - 13 pounds (0.9 - 5.9 kg)

Mounting Options - Desk Edge; Grommet; Thru-Desk

Colors - Silver (-124); Linen White (-232); Vista Black (-104)

Terms and Conditions

Translate Terms and Conditions

The following terms & conditions apply to all LIAT, LLC products.

1. ACCEPTANCE, MODIFICATION, ASSIGNMENT: By placing this order for furniture, material or other products (sometimes collectively referred to as "Goods"), Customer agrees to these Terms and Conditions which shall prevail over inconsistent provisions in any other form or document of Customer. No change or modification shall be applicable unless set forth in writing and signed by Company. Neither this order nor any interest therein shall be assigned by Customer except with the prior written consent of Company.

2. PRICING: LIAT, LLC assumes no responsibility for the quantities or the interpretation of competitive product. Pricing is based on standard LIAT furniture including standard construction, materials, finishes and sizes. Unit prices shall prevail. Pricing subject to change without notice. Prices are those in effect at the time of order entry.

3. PAYMENT: Customer agrees to pay deposit or down payment as required by Company. Customer agrees to pay to Company the amount indicated on the Invoice, 1% 15 days, net 30 days from date of Invoice (U.S. Funds only), for Goods ordered. **INTEREST WILL BE CHARGED AFTER 30 DAYS FROM THE DATE OF INVOICE AT THE RATE OF ONE AND A HALF PERCENT (1.5%) PER MONTH.** International sales will require additional payment arrangements. No Goods shall be sold on consignment or conditional sales basis. Payment for the Goods delivered hereunder shall constitute acceptance thereof.

4. DELIVERY: The specific terms of delivery are as stated on the sales order acknowledgment. Goods which are delivered in advance of schedule are delivered at the risk of Customer. The Company is not liable for delays or failure to ship due to fire, strike, act of God, the public enemy or other causes beyond the control of the Company. With respect to LIAT, LLC, all shipments which are F.O.B. Factory or Delivered, LIAT, LLC reserves the right to select the appropriate carrier. Special requests including, but not limited to, inside delivery, installation, and call before delivery are not included in the price. Any charges arising from failure to meet shipment, rerouting while in transit, or carrier storage charges are the responsibility of the Customer.

*LIAT product is shipped knocked down. Assembly in the field is required.

5. CARE AND MAINTENANCE: To maintain your LIAT product for years of use, please follow these care and maintenance guidelines:

Wood Care and Maintenance: Use a damp, lint free cotton cloth for general dusting. Work with the grain of the wood.

Laminate Tops: Laminates may be cleaned using a damp cloth and mild soap.

Marmoleum Tops: Marmoleum can be maintained by dry or wet maintenance systems. For detailed product specifications or maintenance information, contact Forbo Industries Support Services at 1-800-842-7839 or visit their website www.forbo-industries.com.

Metal Finishes: Mix a solution of liquid soap and warm water. Saturate a clean cloth with this mixture. Wipe down metal then dry completely.

Acrylic Products: Use only products specifically recommended for cleaning acrylic, or a mild solution of dish detergent and warm water. Do **NOT** use any cleaner containing ammonia to clean your acrylic products. Do **NOT** use a dry cloth or your hand to clean the acrylic - this will rub the dirt and dust into the acrylic and can scratch the surface.

Fabric Care: The ability to be cleaned will vary based on the type of fabric. For best results, a professional service is recommended. Dirt and crumbs may be gently brushed or vacuumed off. Spill should be wiped up immediately with a cloth. If upholstery has been protected with Scotchgard or Zepel, the coating should be re-applied yearly. Vinyl textiles can be cleaned with warm soapy water and then wiped down with a warm damp cloth.

6. CLAIMS. All shipments are delivered to the carrier in good condition and

Company's liability ceases after acceptance by carrier. If shipment arrives short or damaged, the Customer must file a claim immediately with the carrier. In the event of concealed damage, notify carrier and request an immediate inspection. Keep all cartons and packing material. Failure to file claim within 15 days after receipt of Goods constitutes acceptance and a waiver of any such claims

7. DISCLAIMER OF WARRANTIES: The express warranties below are the Company's sole warranties of its Goods, there are no understandings, agreements, representations, or warranties, express or implied (including any regarding the merchantability or fitness for a particular purpose), not specified herein, respecting the Goods. Except for those obligations of the Company identified in these Terms and Conditions, all risks related to the quality and performance of the Goods and responsibility for repair or service costs rests solely on the Customer. Company reserves the right to limit the applicable warranty to the Goods depending upon the division or catalogue through which said Goods were sold. Some states do not allow limitations on implied warranties, limitations on how long an implied warranty lasts, or the exclusion or limitation of incidental or consequential damages, so the above limitations may not apply to all Customers. This warranty gives the Customer specific legal rights, and each Customer may also have other rights which vary from state to state.

8. EXPRESS WARRANTIES: *The express warranties of the Company are as follows:*

LIAT, LLC

LIAT, LLC WARRANTS TO THE ORIGINAL PURCHASER THAT EACH CASEGOOD WILL BE FREE FROM DEFECTS IN WORKMANSHIP GIVEN NORMAL USE FOR A PERIOD OF TWENTY (20) YEARS OF SINGLE SHIFT SERVICE. LIAT WARRANTS THEIR SEATING PRODUCTS TO THE ORIGINAL PURCHASER THAT EACH PIECE OF FURNITURE WILL BE FREE FROM DEFECTS GIVEN NORMAL USE FOR FIVE (5) YEARS. LIAT, LLC WILL, AT ITS OPTION, REPAIR OR REPLACE ANY DEFECTIVE FURNITURE WITHIN THE TERMS OF THE WARRANTY. THIS WARRANTY DOES NOT APPLY TO DAMAGE RESULTING FROM ACCIDENT, ALTERATION, OR MISUSE. ALL LIAT ELECTRICAL COMPONENTS AND ACCESSORIES ARE WARRANTED TO THE EXTENT OF THE ORIGINAL MANUFACTURER.

Goods other than furniture are sold by Company to Customer without warranty.

9. ATTORNEYS' FEES: Customer shall be responsible for all expenses and costs in connection with the enforcement by Company of these Terms and Conditions and the costs of collection (including the fees of any collection agencies to whom the Customer's account may be referred), plus reasonable attorneys' fees (which attorneys' fees shall not be less than 25% of the amount due, unless a lower amount is specified by applicable law).

10. CANCELLATION: All cancellations must be made in writing. Administrative and/or labor charges may be incurred by the Customer depending upon the production stage of the order. Orders specifying special finish cannot be cancelled once finishing has begun. Cancellations cannot be accepted once final production has begun.

11. ORDER CHANGES: All changes to an order must be made in writing and are subject to Company's ability to conform. Administrative and/or labor charges may be incurred by the Customer depending upon the production stage of the order. Once final production has begun, no changes can be accepted.

12. REMEDIES: The remedies herein reserved shall be cumulative, and additional to any other or further remedies provided in law or equity. No waiver of a breach of any provision of these Terms and Conditions shall constitute waiver of any other breach or of such provision.

13. INSOLVENCY: Company may forthwith cancel this order in the event of the happening of any of the following or any other comparable event: insolvency of the Customer, the filing of a voluntary petition in bankruptcy, the filing of any involuntary petition to have Customer declared bankrupt provided it is not vacated within thirty (30) days from the date of filing, the appointment of a receiver or trustee for Customer provided such appointment is not vacated within thirty (30) days from the date of such appointment, or the execution by Customer of an assignment for the benefit of creditors.

14. LIMITATION OF LIABILITY: The Company shall not under any circumstances be liable to the Customer, owner of the Goods or any third party for special, indirect, incidental, or consequential damages, including, without limitation, loss of profits or revenues, loss or damage to other property or equipment, cost of capital or of purchased or replacement goods, or expense, delay or inconvenience caused by or arising from the purchase, sale, use, repair or inability to use the Goods or by any performance or non-performance under, or breach of, these Terms and Conditions. The Company's sole liability for any defective Goods shall be its repair or its replacement pursuant to the Express Warranties set forth above, or if amended, as applicable at the time of manufacture or repair of the Goods. Some states do not allow the exclusion or limitation of incidental or consequential damages, so the above limitations or exclusion may not apply to all Customers. Any action resulting from any breach on the part of Company as to the Goods or services delivered hereunder must be commenced within one year after the cause of action has occurred.

15. RETURNS AND ALLOWANCES: Reasonable touch-up and deluxing is the dealer's responsibility. The Company will not make allowances for trip or delivery charges, but will only make allowance for actual work performed to correct manufacturing defects. Allowances may be authorized only by a Company officer. It is the responsibility of the field sales representatives to inspect any defective merchandise and make suggestions and recommendations as to the proper disposition. Field personnel cannot obligate or bind the Company by definite agreement, without final authorization by a Company officer. Company will not accept automatic charge backs which do not have prior authorization. All defects must be called to the Company's attention upon arrival at the Customer's "Ship To" destination. To initiate any type of claim or request for parts, it is imperative to have the model number or fabric number, which may be located on the tag attached to the frame of the unit. Authorization for return to the Company for any reason must be issued by the Company via a Return Goods Authorization. Any authorized returns not due to damage or defect will be assessed a 30% restocking charge and all return freight charges must be prepaid. Company will not issue credit allowances for any repairs without Company's prior consent. Under no circumstances shall the Company accept COD (Cash on Delivery) returns, and any such shipment will be refused.

16. SECURITY AGREEMENT: The Company may require and Customer shall grant a security interest in Goods sold pursuant to any credit the Company may extend to the Customer.

17. GOVERNING LAW: All disputes between the parties, whether or not arising out of these Terms and Conditions, will be governed by the laws of the State of North Carolina. Customer agrees to submit to the jurisdiction of and agrees all lawsuits relating to any disputes between the Customer and the Company will be brought only in a state court located in Dubois County, North Carolina or the United States District Court for the Southern District of

North Carolina. THE CUSTOMER HEREBY WAIVES THE RIGHT TO A TRIAL BY JURY IN ANY ACTION, PROCEEDING, CLAIM, OR COUNTERCLAIM WHETHER IN CONTRACT OR TORT, AT LAW OR IN EQUITY, ARISING OUT OF OR RELATING IN ANY WAY TO THESE TERMS AND CONDITIONS AND ALL OTHER DISPUTES BETWEEN THE PARTIES.

18. MITIGATION: If the Company repossesses the Goods prior to payment by the Customer of all amounts due hereunder, the Company may sell the Goods, AS IS, WHERE IS, free and clear of all rights of the Customer at either public or private sale, and apply the net proceeds (after deducting expenses of repossession and sale) to the obligation of Customer hereunder. The Customer shall remain liable for any deficiency. THE COMPANY MAY DISPOSE OF THE GOODS IN ANY COMMERCIALY REASONABLE PLACE AND MANNER AND THE CUSTOMER WAIVES ANY NOTICE OF TIME, PLACE AND MANNER OF SALE.

19. INTEGRATION: This order for Goods, including these Terms and Conditions, along with any Credit Application, Invoice, Statement, Dealer Contract, Acknowledgment, Bill of Lading (and any exhibits, addenda or amendments thereto) of which this order may be a part, constitutes the sole and complete agreement between the Company and the Customer with respect to the purchase of the Goods.

20. DIMENSIONS/SPECIFICATIONS/FINISHES: All dimensions are approximate and may vary due to the upholstery technique of each craftsman. If exact dimensions are required, it is necessary for the Customer to state such specifications with the order. Detailed specification sheets are available for each series of Goods, and Customer should consult the Company's Customer Service Department for these specification sheets. Company reserves the right to make changes in dimensions, style, or specifications if Company believes these changes will improve the Goods' quality or appearance. Company reserves the right to substitute hardwoods due to availability at production. Due to the natural characteristics of wood, environmental effects, and material upgrades, the Company cannot guarantee exact finish matches on existing Goods previously ordered from Company. If an exact match to Customer's existing Goods are required, it must be specified so that the proper procedures can be followed to ensure an acceptable finish. Company will accept no liability for the finish if this procedure is not followed. Company reserves the right to make changes in a finish formula if Company believes the change will improve the quality or appearance of Company's Goods.

21. ACKNOWLEDGEMENT: All orders will be acknowledged promptly, showing how the order was entered, the approximate shipping time and other pertinent information. It is the Customer's obligation to examine this acknowledgment carefully and notify Company immediately of any discrepancies. Every reasonable effort is made to ship as acknowledged, however, the acknowledged ship date is approximate. Company will generally ship within five (5) working days of the acknowledged ship date. If a firm ship date is necessary, Customer must inform Company at time of order and Company will make all reasonable efforts to meet each Customer's request. Acknowledged shipping dates are contingent upon the force majeure conditions contained in these Terms and Conditions.

22. COMPANY'S PERFORMANCE OF ITS OBLIGATIONS: The production and delivery of the Goods to the extent delayed or hindered or prevented from the performance by reason of natural disasters, acts of God, strikes, lockouts, labor troubles, inability to procure materials, casualties, failure of power, restrictive governmental laws or regulations, riots, insurrection, acts of terrorism, war or other reason of a like nature not the fault of the Company shall excuse for the period of the delay the Company's performance and the period for the performance shall be extended for a period equivalent to the period of such delay.

GSA Terms and Conditions

Contractor: LIAT LLC, dba Jasper Library Furniture
Business Size: Small Business
Cage Code: 6BHB5
Contract Number: GS-28F-004AA
Contract Period: 10/10/12 thru 10/09/17

694 North Main Street
Troutman, NC 28166
Phone: 888.440.8205
Fax: 704.528.6519
Web Site: www.liatfurniture.com
E-mail: blish@liatfurniture.com
Contract Administration: Brian Lish

- 1a. Item Description: Furniture Systems and Workstation Clusters Special Item Numbers (SIN) Awarded: SIN 71-305 Library Furniture
2. Maximum Order: \$100,000.00 net
3. Minimum Order: \$100.00 net
4. Geographic Coverage: 48 Contiguous States, including the District of Columbia, Alaska, Hawaii, and Puerto Rico.
5. Point of Production: Same as company address
6. Discount: 58.5% off of list price (inclusive of IFF)
7. Quantity Discounts: None
8. Prompt Payment Terms: 1% discount for payments received in less than 20 days.
- 9a. Government Commercial Credit Card: Government commercial credit cards (Visa & MC) are not accepted.
- 9b. Discount for Government Credit Card: N/A
10. Foreign Items: None
- 11a. Time of Delivery: 6 to 8 weeks.
- 11b. Expedited Delivery: Negotiated on an order by order basis.
- 11c. Overnight and 2-Day Delivery: Contact contractor for availability and additional shipping charges.
- 11d. Urgent Requirements: Available upon request.
12. F.O.B Point: Destination

- 13a. Ordering Address: Same as Contractor
14. Payment Address: Same as company address.
15. Warranty Provisions: LIAT warrants their casegoods to the original purchaser that each piece of furniture will be free from defects in workmanship given normal use for a period of twenty years. LIAT will, at its option, repair or replace any defective merchandise within the terms of the warranty. LIAT warrants their seating products to the original purchaser that each piece of furniture will be free from defects in workmanship given normal use for five years. The casegoods and seating warranties do not apply to damage resulting from accident, alteration, or misuse. All LIAT electrical components and accessories are warranted to the extent of the original manufacturer.
16. Export Packing Charges: N/A
17. Terms and Conditions of Government Commercial Credit Card Acceptance: N/A
18. Terms and Conditions of rental, maintenance, and repair: N/A
19. Terms and Conditions of Installation: Negotiated on a case by case basis with the participating dealer.
20. Terms and Conditions of Repair Parts: N/A
21. List of Service and Distribution Points: N/A
22. Participating Dealer: Contact LIAT for a list of participants.
23. Preventative Maintenance: N/A
- 24a. Environmental Attributes: N/A
25. Data Universal Numbering System (DUNS) number: 038281451
- 26: Notification regarding registration in Central Registration (CCR) database: Registered



design the furniture. *innovate* the space. *engage* the users.

liatfurniture.com

694 North Main Street · Troutman, NC 28166
TF 888 440 8205 · F 704 528 6519